

http://www.promicro.co.za  
mailto: info@promicro.co.za

52 Shepherd Ave., Bryanston, South Africa  
P O Box 593, Cramerview, 2060, South Africa

Tel: 011-706-7913  
Fax: 086-671-6808

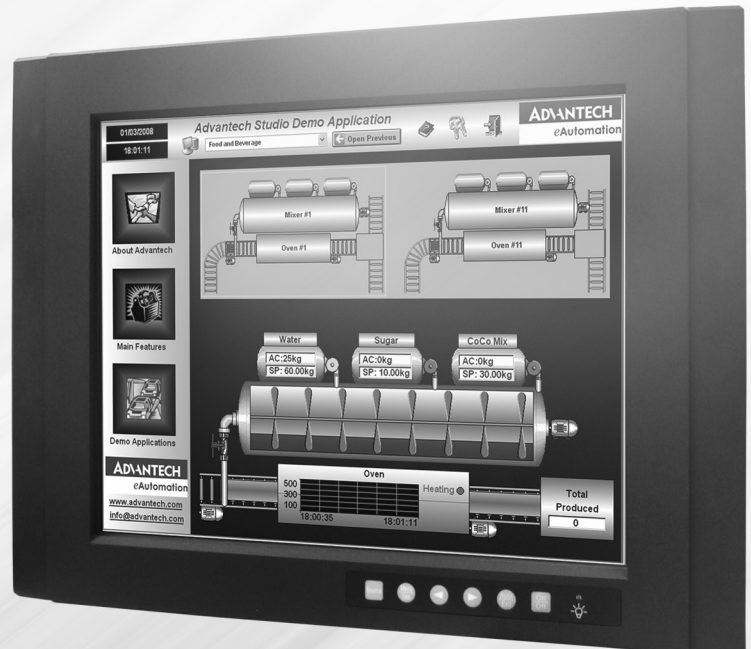
**ProMicro cc**

# 8

## Industrial Monitors

<b>Industrial Monitor Selection Guide</b>		<b>8-2</b>
<b>Industrial Grade Monitors</b>		
<b>FPM-5152G</b> <b>FPM-5172G</b> <b>FPM-5192G</b>	15" XGA/17" SXGA/19" SXGA Industrial Monitors with Resistive Touchscreens, Display Port	<b>8-4</b>
<b>FPM-5151G</b> <b>FPM-5171G</b> <b>FPM-5191G</b>	15" XGA/17" SXGA/19" SXGA Industrial Monitors with Resistive Touchscreens, Direct-VGA, and DVI Ports	<b>8-6</b>
<b>FPM-3171G</b> <b>FPM-3191G</b>	17"/19" SXGA Industrial Monitor with Resistive Touchscreen, Direct-VGA and DVI Ports	<b>8-8</b>
<b>FPM-3151G</b>	15" XGA Industrial Monitor with Resistive Touchscreen, Direct-VGA, DVI Ports, and Wide Operating Temperature	<b>8-10</b>
<b>FPM-3121G</b>	12.1" Industrial Monitor with Resistive Touchscreen, Direct-VGA, DVI and Wide Operating Temperature	<b>8-12</b>
<b>Domain-focus Platform</b>		
<b>FPM-3171S</b> <b>FPM-3191S</b>	17"/19" SXGA Industrial Monitor with Resistive Touchscreen, Direct-VGA and DVI Ports	<b>8-14</b>
<b>TPC-1251SR</b> <b>TPC-1551SR</b>	12.1" SVGA/15" XGA High Brightness LCD Intel Atom Touch Panel Computers	<b>8-16</b>
<b>FPM-3151SR</b>	15" XGA High Brightness Industrial Monitor w/Resistive Touchscreen, Direct-VGA, DVI and Wide Operating Temperature	<b>8-18</b>
<b>IPPC-8151S</b>	15" XGA TFT LCD Celeron® M Fanless Industrial Panel PC with Stainless Steel	<b>8-20</b>
<b>FPM Accessories</b>		<b>8-22</b>

To view all of Advantech's Industrial Monitors, please visit [www.advantech.com/products](http://www.advantech.com/products).



# Industrial Monitor Selection Guide



**NEW**



Model		FPM-3121G/3151G	FPM-3171G/3191G	FPM-5151G/5171G/5191G	FPM-5152G/5172G/5192G
Display	Display Type	SVGA/XGA TFT LCD	SXGA TFT LCD	XGA/SXGA/SXGA TFT LCD	XGA/SXGA/SXGA TFT LCD (LED backlight)
	Display Size	12.1"/15"	17"/19"	15"/17"/19"	15"/17"/19"
	Max. Resolution	800 x 600/1024 x 768	1280 x 1024	1024x768 / 1280x1024 / 1280x1024	1024 x 768 / 1280 x 1024 / 1280 x 1024
	Max. Colors	16.2M	16.2 M	16.2 M/16.7M/16.2M	16.2M/16.7M/16.7M
	Luminance cd/m <sub>2</sub>	450/350	380/300	250/380/300	300/350/300
	Viewing Angle (H/V°)	160/140	170/160	160/130, 170/160, 178/178	140/120, 140/140, 150/140
Backlight MTBF (hrs)	50000hrs	50000hrs	50000hrs	50000hrs	
Video Port		VGA & DVI-D	VGA & DVI-D	VGA & DVI-D	Display port
Touchscreen (optional)		Resistive	Resistive	Resistive	Resistive
OSD (onscreen display)		YES	YES	YES	YES
Touchscreen Sensor		AMT	ELO	AMT	AMT
Touchscreen Driver		Penmount 6000	ELO TOUCH	Penmount 6000	Penmount 6000
Inverter		-	TDK	TDK	-
Power Adapter (Voltage,AC)		100 ~ 240 V <sub>AC</sub>	100 ~ 240 V <sub>AC</sub>	100 ~ 240V Optional	100 ~ 240V Optional
DC Power Input (voltage)		24 V <sub>DC</sub>	N/A	10 ~ 30 V	18 ~ 32 V
Ingress Protection (Front Panel)		NEMA4/IP65	NEMA4/IP65	NEMA4/IP65	NEMA4/IP65
Enclosure		Front panel: Aluminum Rear cover: Stainless steel chassis	Front panel: Aluminum Rear cover: Stainless steel chassis	Front panel: Aluminum and flat-sealed Rear cover: Anti-rust coating	Front panel: Aluminum and flat-sealed Rear cover: Anti-rust coating
Mounting		Panel, VESA arm, or wall & desktop mount & optional mounting kit 19" rackmount (3151G)	Panel, wall, desktop, VESA arm & 19" rackmount (3171G)	Panel, wall, VESA arm, or stand, 19" rackmount & optional mounting kit	Panel, wall, VESA arm, or stand, 19" rackmount & optional mounting kit
Operating temperature		-20 ~ 60°C (-4 ~ 140°F)	0 ~ 50°C (32 ~ 122°F)	0 ~ 50°C (32 ~ 122°F)	0 ~ 50°C (32 ~ 122°F)
Storage Temperature		-30 ~ 80°C (-22 ~ 176°F)	-20 ~ 60°C (-4 ~ 140°F)	-20 ~ 60°C (-4 ~ 140°F)	-20 ~ 60°C (-4 ~ 140°F)
Dimension		312 x 224 x 60 mm (12.2" x 9.6" x 2.3") 422 x 310 x 70 mm (16.6" x 12.2" x 2.7")	482 x 354.8 x 63.5 mm (18.9" x 13.9" x 2.5") 482 x 399.2 x 66 mm (18.9" x 15.7" x 2.6")	450 x 316 x 51 mm (17.71" x 12.43" x 2") 482 x 356 x 55 mm (18.97" x 14.01" x 2.17") 482 x 382 x 59 mm (18.97" x 15.14" x 2.32")	450 x 316 x 51 mm (17.71" x 12.43" x 2") 482 x 356 x 55 mm (18.97" x 14.01" x 2.17") 482 x 382 x 59 mm (18.97" x 15.14" x 2.32")
Weight		3121G:4.07 kg (8.975 lbs) 3151G:7.73 kg (17.04 lbs)	3171G:9.25 kg (20.39 lbs) 3191G:15 kg (33.07 lbs)	6 kg (13.22 lbs) 8 kg (17.63 lbs) 10 kg (22.04 lbs)	6 kg (13.22 lbs) 8 kg (17.63 lbs) 10 kg (22.04 lbs)
Certification		CE, FCC, BSMI, CCC, UL	CE, FCC, BSMI, CCC, UL	CE, FCC, BSMI, CCC, UL	CE, FCC, BSMI, CCC, UL
Page		8-12/8-10	8-8	8-6	8-4

http://www.promicro.co.za  
mailto: info@promicro.co.za

52 Shepherd Ave., Bryanston, South Africa  
P O Box 593, Cramerville, 2060, South Africa

Tel: 011-706-7913  
Fax: 086-671-6808

**ProMicro cc**

# Selection Guide

**NEW**

**NEW**



Model	FPM-3151SR	TPC-1251SR/1551SR	IPPC-8151S	FPM-3171S/3191S	FPM-8192V	
CPU	-	Intel® Atom™ 1.33 GHz with 512KB cache	Intel® Celeron M 1.06GHz 1MB L2 on board	-	-	
Memory	-	1GB SO-DIMM DDR2 667 SDRAM	1GB SO-DIMM DDR2 200pin 667MHz (up to 4GB)	-	-	
Display	Display Type	XGA TFT LCD	SVGA/XGA LED LCD	XGA TFT LCD	SXGA TFT LCD	SXGA TFT LCD with transfective display
	Display Size	15"	12.1"/15"	15"	17"/19"	19"
	Max. Resolution	1024 x 768	800 x 600/1024 x 768	1024 x 768	1280 x 1024	1280 x 1024
	Max. Colors	16.2M	16.2 M	16.2 M	16.2 M	16.7M
	Luminance cd/m <sup>2</sup>	1000	1000	350	380/300	400
	Viewing Angle (H/V°)	125/140	110/160, 120/140	140/125	170/160, 178/178	140/135
Backlight MTBF (hrs)	50000hrs	50000hrs	50000hrs	50000hrs	50000hrs	
Video Port	VGA & DVI-D	-	-	VGA & DVI-D	VGA, DVI-D, Composite Video, S-Video	
Touchscreen	Resistive	Resistive	Resistive	Resistive	Resistive	
Network (LAN)	YES	2 x 10/100/1000Base-T	2 x 10/100/1000Bast-T	-	-	
I/O ports	AMT	1 x RS-232 (with isolation), 1 x RS-422/485 (with isolation), 2 x USB 2.0 (Host)	3 x RS-232; 4 x USB 2.0, 2 x PS2 (Keyboard, Mouse), 1 x VGA Port, Mic-in, Line-in, Line-out	-	-	
HDD (Optional)	Penmount 6000	1 x 2.5" SATA HDD	1 x 2.5" SATA HDD	-	-	
OSD (onscreen display)	-	-	-	YES	YES	
CompactFlash Slots	-	1 x CompactFlash® Slot	1 x CompactFlash® Slot	-	-	
Expansion Slots	-	-	1 x half-length PCI Slot	-	-	
Power Input Voltage	100 ~ 240 V <sub>AC</sub>	18 ~ 32 V <sub>DC</sub>	10 ~ 30 V <sub>DC</sub> , 18A	100 ~ 240 V <sub>AC</sub>	100-240V Optional	
DC Power Input (voltage)	24 V <sub>DC</sub>	24 V <sub>DC</sub>	24 V <sub>DC</sub>	N/A	24 V <sub>DC</sub>	
Ingress Protection (Front Panel)	NEMA4/IP65	NEMA4/IP65	NEMA4X/IP66	NEMA4X/IP65	NEMA4/IP65	
Enclosure	Front panel: Aluminum Rear cover: Stainless steel chassis	Front bezel: Die-cast aluminum alloy Back housing: SECC	Fanless with stainless steel	Front panel: Stainless steel Rear cover: Stainless steel chassis	Aluminum with coating	
Mounting	Panel, VESA arm, or wall & desktop mount & optional mounting kit 19" rackmount	Desktop, wall or panel mount	Desktop, wall or panel mount	Panel, wall, desktop, VESA arm	Panel	
Operating temperature	-20 ~ 60°C (-4 ~ 140°F)	-20 ~ 60°C (-4 ~ 140°F)	0 ~ 50°C (32 ~ 122°F)	0 ~ 50°C (32 ~ 122°F)	-10 ~ 55°C (14 ~ 131°F)	
Storage Temperature	-30 ~ 80°C (-22 ~ 176°F)	-30 ~ 80°C (-22 ~ 176°F)	-20 ~ 60°C (-4 ~ 140°F)	-20 ~ 60°C (-4 ~ 140°F)	-40 ~ 70°C (-40 ~ 140°F)	
Dimension	422 x 310 x 70 mm (16.61" x 12.2" x 2.76")	311 x 237 x 54 mm (12.2" x 9.3" x 2.1")/ 383 x 307 x 58.1 mm (15.1" x 12.1" x 2.3")	400 x 314 x 90 mm (15.7" x 12.4" x 3.6")	463 x 378 x 64 mm (18.2" x 15" x 2.5")/ 482 x 399 x 66 mm (18.9" x 15.7" x 2.6")	483 x 444 x 75 mm (19" x 17.5" x 1.9")	
Weight	7.73 kg (17.04 lbs)	2.5 kg (5.51 lb)/ 3 kg (5.51 lb)	12 Kg (26.45 lbs)	13.1 kg (28.88 lbs)/ 15 kg (33.07 lbs)	14.5 kg (31.96 lbs)	
Certification	CE, FCC, CCC, UL	BSMI, CCC, CE, FCC Class A, UL	UL, CE, FCC Class A, CCC, BSMI	CE, FCC, BSMI, CCC, UL	CCC, CE, FCC, DNV, IEC 60945, IACS-E10	
Operating System	-	Windows XP/WES7/ XPe/CE/Linux	Windows 2000, XP Professional and WinXPe	-	-	
Page	8-18	8-16	8-20	8-14	online	

- 1 Motion Control
- 2 Hazardous Location
- 3 Energy Automation
- 4 Building Automation Systems
- 5 Automation Software
- 6 Operator Panels
- 7 Automation Panel PCs
- 8 Industrial Monitors
- 9 Industrial Ethernet
- 10 Device Servers & Gateways
- 11 Serial Communication Cards
- 12 Embedded Auto. Computers
- 13 PACs
- 14 M2M I/O
- 15 Distributed Nano Controllers
- 16 RS-485 I/O
- 17 Ethernet I/O
- 18 DAQ Boards

http://www.promicro.co.za  
mailto: info@promicro.co.za

52 Shepherd Ave., Bryanston, South Africa  
P O Box 593, Cramerview, 2060, South Africa

Tel: 011-706-7913  
Fax: 086-671-6808

**ProMicro cc**

# FPM-5152G FPM-5172G FPM-5192G

## 15" XGA/17" SXGA/19" SXGA Industrial Monitors with Resistive Touchscreens, Lockable Display Port

NEW



### Features

- 15" XGA or 17" / 19" SXGA TFT LCD LED backlight
- Lockable display port input interface
- Lockable OSD keys with 2 user-defined contrast/brightness settings
- Flat-sealed front panel
- Robust design with anti-rust chassis and aluminum die-cast front panel
- Front accessible USB connector
- USB interface for touchscreen function
- Supports industrial 18-32V DC power input with Phoenix jack
- Supports panel, wall, desktop, rack or VESA arm mounting
- Front panel is NEMA4/IP65 compliant

### Introduction

The FPM-5000G series provides 15", 17" and 19" color TFT LCD with LED backlight flat panel monitors specifically designed for industrial applications. With viewing sizes from 15" to 19", they present ample display areas as well as vivid and sharp images. It features display port signal transmission and onscreen display allows users to adjust the images on the screen. The front access USB connector provides easy access the controller, and the industrial 18-32V<sub>DC</sub> wide range power support makes this product an excellent option for factory and machine automation display solutions.

### Specifications

#### General

- **Button Controls** OSD control pad on rear side with lockable function
- **Certification** BSMI, CCC, CE, FCC Class B, UL
- **Dimensions (WxHxD)**
  - 5152G: 449.92 x 315.63 x 50.5 mm (17.71" x 12.43" x 2")
  - 5172G: 481.9 x 355.9 x 55 mm (18.97" x 14.01" x 2.17")
  - 5192G: 481.93 x 384.6 x 59 mm (18.97" x 15.14" x 2.32")
- **Enclosure** Front panel: Aluminum and flat-sealed  
Rear cover: Anti-rust coating
- **Mounting** Panel, wall, desktop, VESA arm, or 19" rackmount
- **Power Input** Phoenix Jack 18 ~ 32V<sub>DC</sub> input  
Optional external 48 W power adapter, with AC 100 V ~240 V input and DC18-32 V @max3.3A output  
Front USB access for extension
- **USB**
- **Video Port** Lockable display port
- **Weight (Net)** 6 kg (13.22 lbs) / 8 kg (17.63 lbs) / 10 kg (22.04 lbs)

#### LCD Display

- **Display Type** XGA/ SXGA/ SXGA TFT LCD LED backlight
- **Display Size** 15" / 17" / 19"
- **Max. Resolution** 1024 x 768 / 1280 x 1024 / 1280 x 1024
- **Max. Color** 16.2M / 16.7M / 16.7M
- **Viewing Angle (H/V°)** 140°(V), 120°(H); 140°(V), 140°(H); 150°(V), 140°(H)
- **Luminance (cd/m<sup>2</sup>)** 350
- **Backlight Life (hrs)** 50,000
- **Contrast Ratio** 700:1/1000:1 / 1000:1

#### Touchscreen (Optional)

- **Sensor** AMT
- **Driver** Penmount 6000
- **Type** 5-wire Resistive
- **Interface** USB
- **Light Transmission** > 80%
- **OS Support** Windows 2000, XP, Vista, 7, XPe, CE and Linux
- **Touch Resolution** Linearity

#### Environment

- **Operation Temperature** 0 ~ 50°C (32 ~ 122°F)
- **Storage Temperature** -20 ~ 60°C (-4 ~ 140°F)
- **Humidity (Storage)** 10 ~ 90% non-condensing
- **Waterproof** Front panel is NEMA4/IP65 compliant
- **Vibration** 5 ~ 500 Hz, 1 Grms (Operating, Random)

### Ordering Information

- **FPM-5192G-R2AE** 19" SXGA Ind. DP Monitor w/Resistive TS (USB)
- **FPM-5172G-R2AE** 17" SXGA Ind. DP Monitor w/Resistive TS (USB)
- **FPM-5152G-R2AE** 15" XGA Ind. DP Monitor w/Resistive TS (USB)

http://www.promicro.co.za  
mailto: info@promicro.co.za

52 Shepherd Ave., Bryanston, South Africa  
P O Box 593, Cramerville, 2060, South Africa

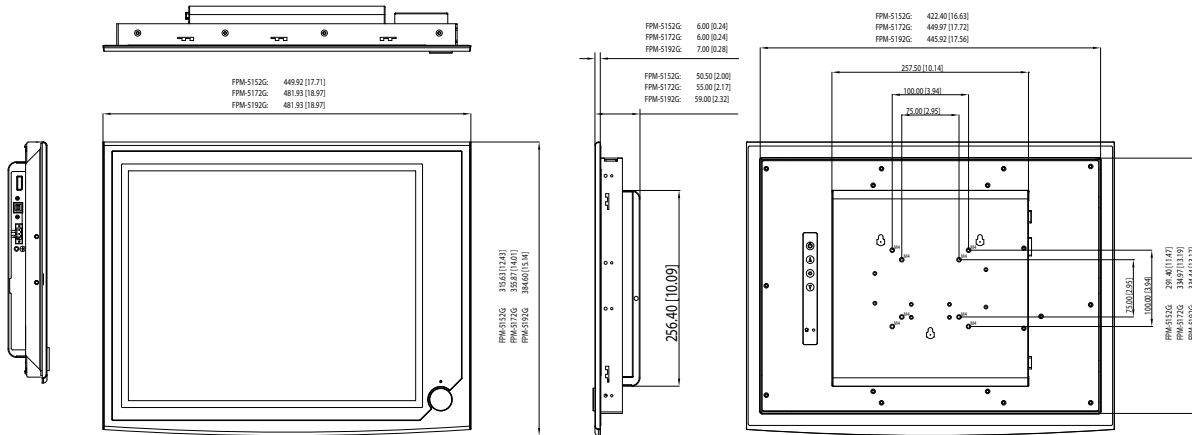
Tel: 011-706-7913  
Fax: 086-671-6808

ProMicro cc

# FPM-5152G/FPM-5172G/FPM-5192G

## Dimensions

Unit: [mm]



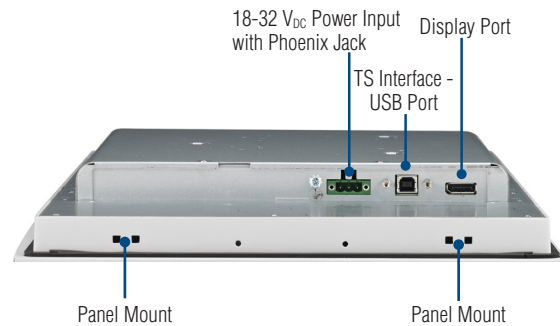
**Panel Cut-out Dimensions:** FPM-5152G: 424mm x 293mm (16.69" x 11.54")  
 FPM-5172G: 454mm x 338mm (17.87" x 13.31")  
 FPM-5192G: 454mm x 338mm (17.87" x 13.31")

## Accessories

- **FPM-5151G-SMKE** FPM-5151G/5171G Stand Kit
- **FPM-5191G-SMKE** FPM-5191G Stand Kit
- **IPPC-6152A-RMKE** IPPC-6152A/FPM-5151G Rack Mount Kit
- **IPPC-6172A-RMKE** IPPC-6172A/FPM-5171G Rack Mount Kit
- **IPPC-6192A-RMKE** IPPC-6192A/FPM-5191G Rack Mount Kit
- **1757002321** ADAPTER 100-240V 63W 24V 2.62A IPU63-108 SINPRO

**Note:** VESA mounting screw length: M4x10mm

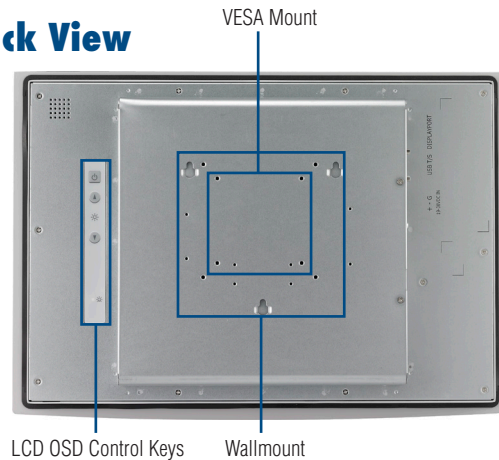
## I/O View



## Front Accessible USB Port



## Back View



- 1 Motion Control
- 2 Hazardous Location
- 3 Energy Automation
- 4 Building Automation Systems
- 5 Automation Software
- 6 Operator Panels
- 7 Automation Panel PCs
- 8 Industrial Monitors
- 9 Industrial Ethernet
- 10 Device Servers & Gateways
- 11 Serial Communication Cards
- 12 Embedded Auto. Computers
- 13 PACs
- 14 M2M I/O
- 15 Distributed Nano Controllers
- 16 RS-485 I/O
- 17 Ethernet I/O
- 18 DAQ Boards

# FPM-5151G FPM-5171G FPM-5191G

## 15" XGA/17" SXGA/19" SXGA Industrial Monitors with Resistive Touchscreens, Direct-VGA, and DVI Ports

NEW



### Introduction

The FPM-5000G series provides 15", 17" and 19" color TFT LCD flat panel monitors specifically designed for industrial applications. With a viewing size from 15" to 19", they present ample display areas as well as vivid and sharp images. It features Direct-VGA & DVI-D signal transmission, which allows VGA control cards to be used in your system. The onscreen display allows users to adjust the images on the screen with two user-defined settings. The front access USB connector provides easy access the controller, and the industrial 10-30 V<sub>DC</sub> wide range power support makes this product an excellent option for Factory and Machine Automation display solutions.

### Specifications

#### General

- **Button Controls** OSD control pad on rear side with lockable function
- **Certification** BSMI, CCC, CE, FCC Class B, UL
- **Dimensions (WxHxD)**
  - 5151G: 449.92 x 315.63 x 50.5 mm (17.71" x 12.43" x 2")
  - 5171G: 481.9 x 355.9 x 55 mm (18.97" x 14.01" x 2.17")
  - 5191G: 481.93 x 384.6 x 59 mm (18.97" x 15.14" x 2.32")
- **Enclosure**
  - Front panel: Aluminum and flat-sealed
  - Rear cover: Anti-rust coating
- **Mounting** Panel, wall, desktop, VESA arm, or 19" rackmount
- **Power Input**
  - Phoenix Jack - 10 ~ 30 V<sub>DC</sub> input
  - Optional external 57 W power adapter, with AC 100 V ~ 240 V input and DC +12 V @ 4.7A output
- **Power Consumption** 18 W + 20%/31 W + 20%/32 W + 20%
- **USB** Front USB access for extension
- **Video Port** VGA & DVI-D
- **Weight (Net)** 6 kg (13.22 lbs)/8 kg (17.63 lbs)/10 kg (22.04 lbs)

#### LCD Display

- **Display Type** XGA/SXGA/SXGA TFT LCDs
- **Display Size** 15"/17"/19"
- **Max. Resolution** 1024 x 768/1280 x 1024/1280 x 1024
- **Max. Color** 16.2M
- **Viewing Angle (H/V°)** 160/130, 170/160, 178/178
- **Luminance (cd/m<sup>2</sup>)** 250/380/300
- **Backlight Life (hrs)** 50,000
- **Contrast Ratio** 700:1/1000:1/1300:1

### Features

- 15" XGA or 17"/19" SXGA TFT LCDs
- Direct VGA & DVI-D input interface
- Lockable OSD keys with 2 user-defined contrast/brightness settings
- Flat-sealed front panel
- Robust design with anti-rust chassis and aluminum die-cast front panel
- Front accessible USB connector
- Combo RS-232 & USB interface for touchscreen function (optional)
- Supports industrial 10-30 V<sub>DC</sub> power input with Phoenix jack
- Supports panel, wall, desktop, rack or VESA arm mounting
- Front panel is NEMA4/IP65 compliant

#### Touchscreen (Optional)

- **Sensor** AMT
- **Driver** Penmount 6000
- **Type** 8-wire/8-wire/5-wire Resistive
- **Interface** RS-232 & USB
- **Lifespan** 10/10/36 million with a silicone rubber of R8 finger, writing rate is by 250g at 2 times/s
- **Light Transmission** > 80%
- **OS Support** Windows 2000, XP, Vista, 7, XPe, CE and Linux
- **Power Consumption** +5 V @ 100 mA
- **Touch Resolution** Linearity

#### Environment

- **Operation Temperature** 0 ~ 50°C (32 ~ 122°F)
- **Storage Temperature** -20 ~ 60°C (-4 ~ 140°F)
- **Humidity (Storage)** 10 ~ 90% non-condensing
- **Waterproof** Front panel is NEMA4/IP65 compliant
- **Vibration** 5 ~ 500 Hz, 1 Grms (Operating, Random)

### Ordering Information

- **FPM-5191G-X0AE** 19" SXGA Ind. Monitor
- **FPM-5191G-R3AE** 19" SXGA Ind. Monitor w/Resistive TS (RS-232, USB)
- **FPM-5171G-X0AE** 17" SXGA Ind. Monitor
- **FPM-5171G-R3AE** 17" SXGA Ind. Monitor w/Resistive TS (RS-232, USB)
- **FPM-5151G-X0AE** 15" XGA Ind. Monitor
- **FPM-5151G-R3AE** 15" XGA Ind Monitor w/Resistive TS (RS-232, USB)

http://www.promicro.co.za  
mailto: info@promicro.co.za

52 Shepherd Ave., Bryanston, South Africa  
P O Box 593, Cramerville, 2060, South Africa

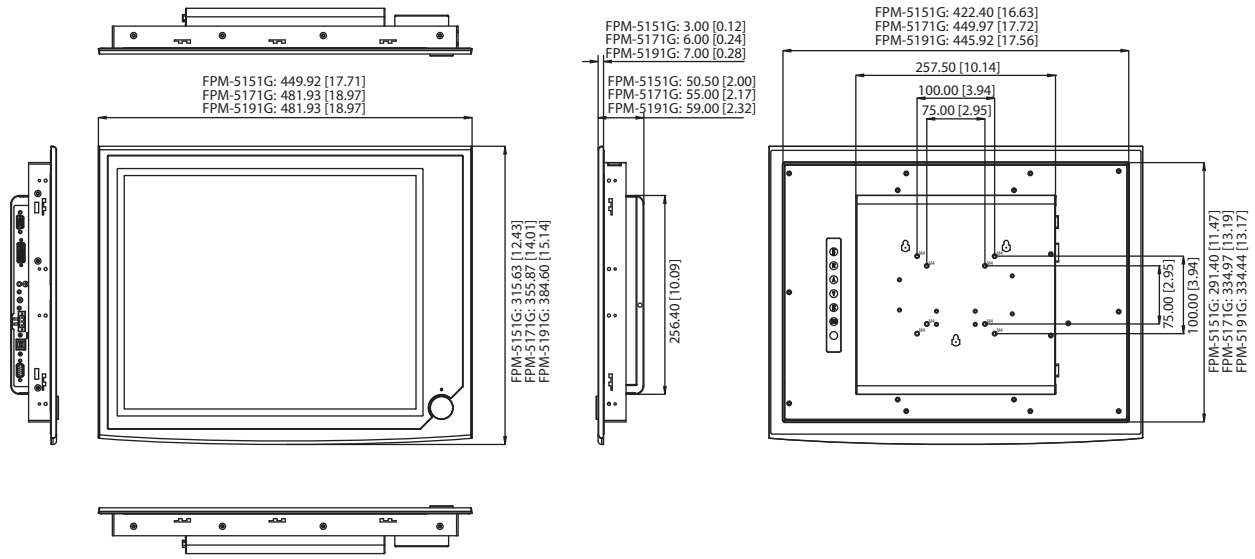
Tel: 011-706-7913  
Fax: 086-671-6808

ProMicro cc

# FPM-5151G/FPM-5171G/FPM-5191G

## Dimensions

Unit: [mm]



**Panel Cut-out Dimensions:** FPM-5151G: 424 x 293 mm (16.69" x 11.54")  
 FPM-5171G: 454 x 338 mm (17.87" x 13.31")  
 FPM-5191G: 454 x 338 mm (17.87" x 13.31")

52 Shepherd Ave., Bryanston, South Africa  
 P O Box 593, Cramerview, 2060, South Africa

Tel: 011-706-7913  
 Fax: 086-671-6808

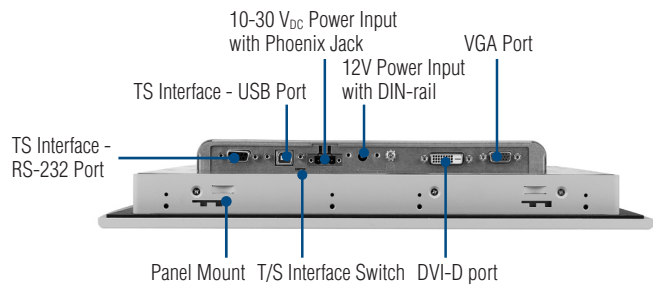
http://www.promicro.co.za  
 mailto: info@promicro.co.za

ProMicro cc

## Accessories

- FPM-5151G-SMKE FPM-5151G/5171G Stand Kit
  - FPM-5191G-SMKE FPM-5191G Stand Kit
  - IPPC-6152A-RMKE IPPC-6152A/FPM-5151G Rack Mount Kit
  - IPPC-6172A-RMKE IPPC-6172A/FPM-5171G Rack Mount Kit
  - IPPC-6192A-RMKE IPPC-6192A/FPM-5191G Rack Mount Kit
  - 1702002600 Power Cable US Plug 1.8 M
  - 1702002605 Power Cable EU Plug 1.8 M
  - 1702031801 Power Cable UK Plug 1.8 M
  - 1702031836 Power Cable China/Australia Plug 1.8 M
  - 1757002742 Adapter AC 90-264V 57W SPU63-105
- Note: VESA mounting screw length: M4x6mm

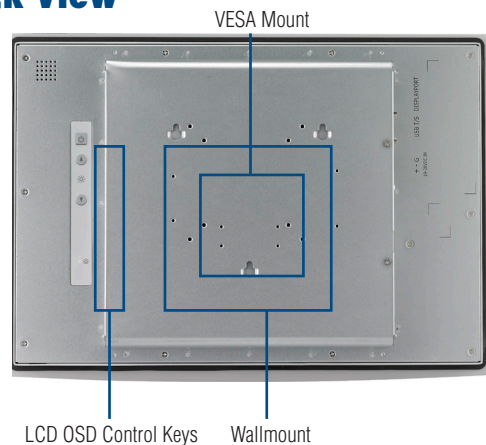
## I/O View



## Front Accessible USB Port



## Back View



- Motion Control
- Hazardous Location
- Energy Automation
- Building Automation Systems
- Automation Software
- Operator Panels
- Automation Panel PCs
- Industrial Monitors
- Industrial Ethernet
- Device Servers & Gateways
- Serial Communication Cards
- Embedded Auto. Computers
- ACs
- M2M I/O
- Distributed Nano Controllers
- RS-485 I/O
- Ethernet I/O
- DAQ Boards

# FPM-3171G FPM-3191G

**17"/19" SXGA Industrial Monitor with  
Resistive Touchscreen, Direct-VGA  
and DVI Ports**

http://www.promicro.co.za  
mailto: info@promicro.co.za

52 Shepherd Ave., Bryanston, South Africa  
P O Box 593, Cramerville, 2060, South Africa

Tel: 011-706-7913  
Fax: 086-671-6808

**ProMicro cc**



## Features

- 17"/19" SXGA TFT LCD with resolution up to 1280 x 1024
- Robust design with stainless steel chassis and aluminum front panel
- Anti-reflective screen with tempered glass
- OSD control pad on front panel
- Supports industrial 24-48 V<sub>DC</sub> power input (optional)
- Supports panel, wall, desktop, rack or VESA arm mounting
- Front panel is NEMA4/IP65 compliant

## Introduction

FPM-3171G/FPM-3191G is a 17"/19" color TFT LCD flat panel monitor specifically designed for industrial applications. With a viewing size as large as 17"/19", it presents an ample display area as well as vivid and sharp images for your HMI. It features direct VGA signal transmission. You can thus upgrade the displays without making changes to the existing system. The onscreen display function also makes it easy to adjust the images on the screen. The whole chassis is designed in stainless steel and the front panel is made of aluminum with front panel NEMA4/IP65 compliance.

## Specifications

### General

- **Button Controls** OSD (Onscreen Display) control pad on front panel
- **Certification** BSMI, CCC, CE, FCC Class B, UL
- **Dimensions (W x H x D)**  
FPM-3171G : 482mm x 354.8mm x 63.5mm (18.98" x 13.97" x 2.5")  
FPM-3191G : 482mm x 399mm x 66 mm (19" x 15.7" x 2.6")
- **Enclosure**  
Front panel: Aluminum with coating  
Rear cover: Stainless steel chassis
- \* Mounting holes on rear cover are designed for PWR-246E DC Source
- **Mounting** Panel, wall, desktop, VESA arm & 19" rackmount
- **Power Input** DC Jack - Optional external 57 W power adapter, with 100 ~ 240 V<sub>AC</sub> input and 12 V<sub>DC</sub> @ 4.75 A output
- **Power Consumption** 35 W + 20%
- **Video Port** VGA & DVI-D port
- **Weight (Net)**  
FPM-3171G : 9.25 kg (20.39 lbs)  
FPM-3191G : 10.65 kg (23.46 lbs)

### LCD Display

- **Display Type** SXGA TFT LCD
- **Display Size**  
FPM-3171G : 17"  
FPM-3191G : 19"
- **Max. Resolution** 1280 x 1024
- **Max. Color** 16.2 M
- **Viewing Angle (H/V°)** 170/160  
FPM-3171G : 170/160  
FPM-3191G : 178/178
- **Luminance (cd/m<sup>2</sup>)** 380  
FPM-3171G : 380 cd/m<sup>2</sup>  
FPM-3191G : 300 cd/m<sup>2</sup>
- **Backlight Life (hrs)** 50,000
- **Contrast Ratio**  
FPM-3171G : 1000:1  
FPM-3191G : 1300:1

### Touchscreen (Optional)

- **Sensor** ELO
- **Driver** ELO TOUCH
- **Type** 5-wire Resistive
- **Interface** RS-232 or USB
- **Lifespan** 35 million touches at a single point
- **Light Transmission** 80% ±5
- **OS Support** Windows XP, Vista, 7, XPe, CE and Linux
- **Power Consumption** +5 V @ 100 mA
- **Touch Resolution** Linearity

### Environment

- **Operation Temperature** 0 ~ 50°C (32 ~ 122°F)
- **Storage Temperature** -20 ~ 60°C (-4 ~ 140°F)
- **Humidity (Storage)** 10 ~ 90% non-condensing
- **Waterproof** Front panel is NEMA4/IP65 compliant
- **Vibration** 5 ~ 500 Hz, 1 Grms (Operating, Random)

## Ordering Information

- **FPM-3171G-XCE** 17" SXGA Ind. Monitor
- **FPM-3171G-RCE** 17" SXGA Ind Monitor w/Resistive TS (RS-232, USB)
- **FPM-3191G-XCE** 19" SXGA Ind. Monitor
- **FPM-3191G-RCE** 19" SXGA Ind Monitor w/Resistive TS (RS-232, USB)

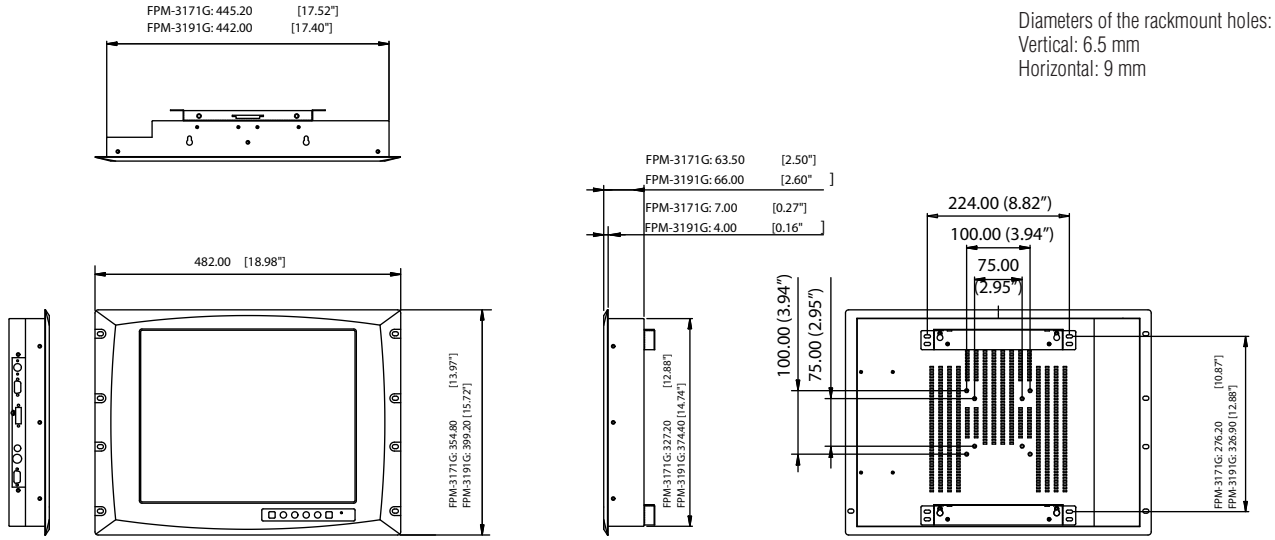
## Accessories

- **PWR-246E** Ind. DC to DC w/24-48 V<sub>DC</sub> 1.4-2.9A In 12 V<sub>DC</sub> 5A Out
- **1702002600** Power Cable US Plug 1.8 M
- **1702002605** Power Cable EU Plug 1.8 M
- **1702031801** Power Cable UK Plug 1.8 M
- **1702031836** Power Cable China/Australia Plug 1.8 M
- **1757002742** Adapter AC 90-264V 57W SPU63-105

# FPM-3171G/FPM-3191G

## Dimensions

Unit: [mm]



**Panel Cut-out Dimensions: FPM-3171G: 451 x 333 mm (17.76" x 13.11")**  
**FPM-3191G: 444 x 376.4 mm (17.48" x 14.82")**

http://www.promicro.co.za  
mailto: info@promicro.co.za

52 Shepherd Ave., Bryanston, South Africa  
P O Box 593, Cramerview, 2060, South Africa

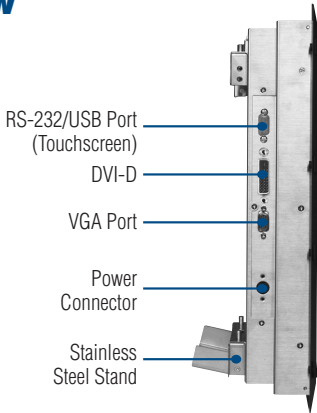
Tel: 011-706-7913  
Fax: 086-671-6808

**Promicro cc**

- 1 Motion Control
- 2 Hazardous Location
- 3 Energy Automation
- 4 Building Automation Systems
- 5 Automation Software
- 6 Operator Panels
- 7 Automation Panel PCs
- 8 Industrial Monitors
- 9 Industrial Ethernet
- 10 Device Servers & Gateways
- 11 Serial Communication Cards
- 12 Embedded Auto. Computers
- 13 PACs
- 14 M2M I/O
- 15 Distributed Nano Controllers
- 16 RS-485 I/O
- 17 Ethernet I/O
- 18 DAO Boards

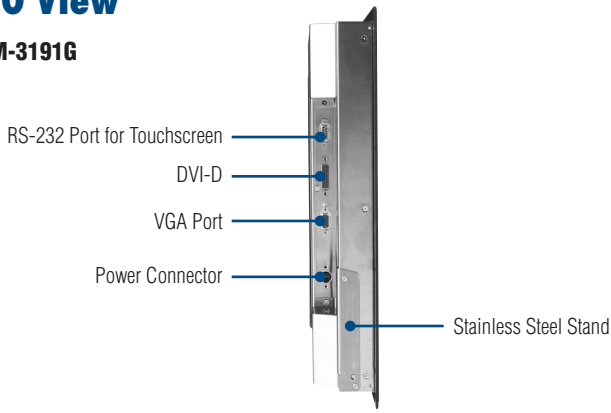
## I/O View

FPM-3171G

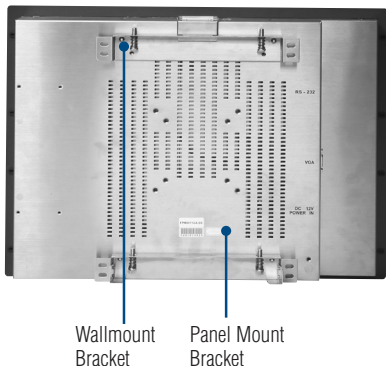


## I/O View

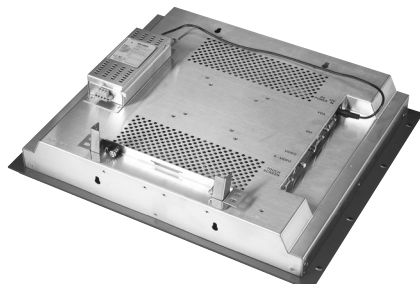
FPM-3191G



## Rear View



## Mounting with DC Source



# FPM-3151G

## 15" XGA Industrial Monitor with Resistive Touchscreen, Direct-VGA, DVI Ports, and Wide Operating Temperatures

NEW



### Features

- 15" XGA LED backlight LCD with low power consumption
- Robust anodized coated aluminum front bezel and stainless steel rear cover
- Supports wide operating temperatures
- Increase reliability by enhanced 5-wire resistive touch sensor
- Anti-reflective screen with tempered glass
- Full enclosure ground isolation protection
- Supports VGA/DVI input, dual touch interfaces and two power inputs
- Front lockable OSD membrane keys with user-defined brightness setting
- Front panel is NEMA4/IP65 compliant
- Supports panel, VESA, wall and desktop stand mounting

### Introduction

The FPM-3151G is a particularly rugged and reliable 15" XGA wide temperature industrial monitor for a variety of industry applications. Equipped with a hard anodized coating, stainless steel chassis, and -20 to 60°C operating temperature, it can satisfy demands in a wide range of harsh industrial applications. This model also features enhanced 5-wire resistive touch and system ground isolation protection to enhance the reliability. FPM-3151G also provides lockable OSD keys on the front panel with two user-defined contrast/brightness settings.

### Specifications

#### General

- **Button Controls** OSD control pad on front panel with lockable function  
Two user-defined contrast/brightness settings
- **Certification** CE, FCC Class A, BSMI, CCC, UL, Energy Star
- **Dimensions (W x H x D)** 422 x 310 x 70 mm (16.61" x 12.2" x 2.76")
- **Enclosure** Front panel: Aluminum with hard anodizing coating  
Rear cover : Stainless steel  
Ground Isolation Protection
- **Mounting** Panel, wall, desktop, VESA arm, or 19" rackmount with optional mounting kit
- **Power Input** Phoenix Jack: 24 V<sub>DC</sub> input  
DC Jack: external 57 W power adapter, with 100 ~ 240 V<sub>AC</sub> input and 12 V<sub>DC</sub> @ 4.75 A output
- **Power Consumption** 12W
- **Video Port** VGA & DVI-D Port
- **Weight (Net)** 7.73 kg (17.04 lbs)

#### LCD Display

- **Display Type** XGA TFT LCD
- **Backlight Type** LED
- **Display Size** 15"
- **Max. Resolution** 1024 x 768
- **Max. Color** 16.2M (RGB 8-bits) or 262k colors (RGB 6-bits)
- **Viewing Angle (H/V°)** 160/140
- **Luminance (cd/m<sup>2</sup>)** 350
- **Backlight Life (hrs)** 50,000
- **Contrast Ratio** 700:1

#### Touchscreen (Optional)

- **Sensor** AMT
- **Driver** Penmount 6000
- **Type** 5-wire resistive with enhanced ITO film
- **Interface** USB & RS-232 (Combo)
- **Lifespan** 36 million with a silicone rubber R8 finger, writing rate is by 250g at 2 times/s
- **Light Transmission** > 80%
- **OS Support** Windows 2000, XP, Vista, 7, XPe, CE and Linux
- **Power Consumption** +5 V @ 100 mA
- **Touch Resolution** Linearity

#### Environment

- **Operation Temperature** -20 ~ 60°C (-4 ~ 140°F)
- **Storage Temperature** -30 ~ 80°C (-22 ~ 176°F)
- **Humidity (Storage)** 10 ~ 95% non-condensing
- **Waterproof** Front panel is NEMA4/IP65 compliant
- **Shock** 11ms, 10G (Non Operating, Half Sine Wave)
- **Vibration** 5 ~ 500 Hz, 1 Grms (Operating, Random)

### Ordering Information

- **FPM-3151G-X0AE** 15" XGA Ind. Monitor with Wide Temp
- **FPM-3151G-R3AE** 15" XGA Ind. Monitor w/ Wide Temp, Resistive TS
- **FPM-3151SR-R3AE** 15" XGA Ind. Monitor w/ Sunlight Readable Display

http://www.promicro.co.za  
mailto: info@promicro.co.za

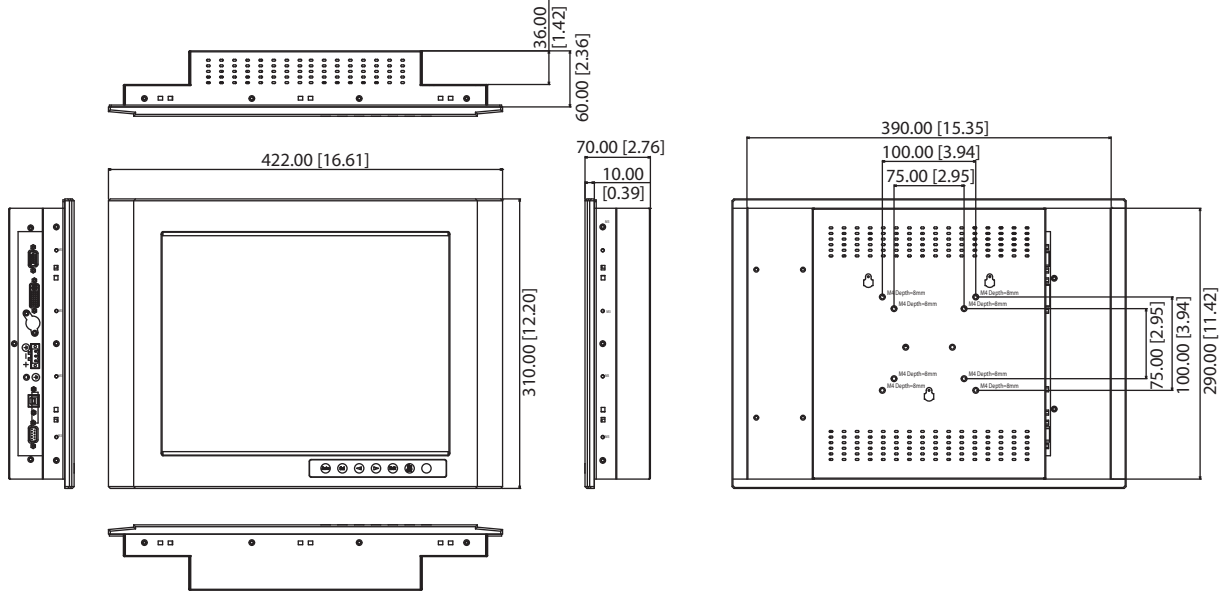
52 Shepherd Ave., Bryanston, South Africa  
P O Box 593, Cramerville, 2060, South Africa

Tel: 011-706-7913  
Fax: 086-671-6808

ProMicro cc

**Dimensions**

Unit: [mm]



**Panel Cut-out Dimensions: 396 x 296 mm (15.59" x 11.65")**

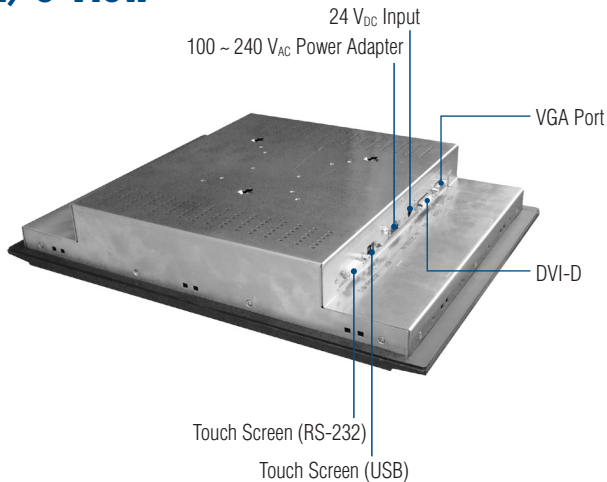
**Accessories**

- **FPM-3151G-RMKE** Mounting kit for 19" industrial rack
- **1702002600** Power Cable US Plug 1.8 M
- **1702002605** Power Cable EU Plug 1.8 M
- **1702031801** Power Cable UK Plug 1.8 M
- **1702031836** Power Cable China/Australia Plug 1.8 M

**Rack Mount (FPM-3151G-RMKE)**



**I/O View**



- 1 Motion Control
- 2 Hazardous Location
- 3 Energy Automation
- 4 Building Automation Systems
- 5 Automation Software
- 6 Operator Panels
- 7 Automation Panel PCs
- 8 Industrial Monitors
- 9 Industrial Ethernet
- 10 Device Servers & Gateways
- 11 Serial Communication Cards
- 12 Embedded Auto. Computers
- 13 PACs
- 14 M2M I/O
- 15 Distributed Nano Controllers
- 16 RS-485 I/O
- 17 Ethernet I/O
- 18 DAO Boards

# FPM-3121G

## 12.1" Industrial Monitor with Resistive Touchscreen, Direct-VGA, DVI and Wide Operating Temperatures

NEW



### Features

- 12.1" SVGA LED backlight LCD with low power consumption
- Robust anodized coated aluminum front bezel and stainless steel rear cover
- Supports wide operating temperatures
- Increase reliability by enhanced 5-wire resistive touch sensor
- Anti-reflective screen with tempered glass
- Full enclosure ground isolation protection
- Supports VGA/DVI input, dual touch interfaces and two power inputs
- Front lockable OSD membrane keys with user-defined brightness setting
- Front panel is NEMA4/IP65 compliant
- Supports panel, VESA, wall and desktop stand mounting

### Introduction

The FPM-3121G is a particularly rugged and reliable 12.1" SVGA wide temperature industrial monitor for a variety of industry applications. Equipped with a hard anodized coating, stainless steel chassis, and -20 to 60°C operating temperature, it can satisfy demands in a wide range of harsh industrial applications. This model also features enhanced 5-wire resistive touch and system ground isolation protection to enhance the reliability. Lockable OSD keys on front panel with 2 user-defined contrast/brightness settings.

### Specifications

#### General

- **Button Controls** OSD control pad on front side with lockable function  
Two user-defined contrast/brightness settings
- **Certification** CE, FCC Class A, BSMI, CCC, UL
- **Dimensions (W x H x D)** 312 x 244 x 60 mm (12.28" x 9.61" x 2.36")
- **Enclosure** Front panel: Aluminum with hard anodized coating  
Rear cover: Stainless steel chassis  
Ground isolation protection
- **Mounting** Panel, VESA arm, or wall & desktop mount with optional mounting kit
- **Power Input** Phoenix Jack: 24 V<sub>DC</sub> input  
DC Jack: external 57 W power adapter, with 100 ~ 240 V<sub>AC</sub> input and +12 V<sub>DC</sub> @ 4.75 A output
- **Power Consumption** 9 W
- **Video Port** VGA & DVI-D Port
- **Weight (Net)** 4.07 kg (8.975 lbs)

#### LCD Display

- **Display Type** SVGA TFT LCD (XGA optional)
- **Backlight Type** LED
- **Display Size** 12.1"
- **Max. Resolution** 800 x 600 (1024 x 768 optional)
- **Max. Color** 16.2M (RGB 8-bit) or 262k colors (RGB 6-bit)
- **Viewing Angle (H/V°)** 160/140 (160/160 optional)
- **Luminance (cd/m<sup>2</sup>)** 450 (500 optional)
- **Operation Life (hrs)** 50,000
- **Contrast Ratio** 700:1

#### Touchscreen (Optional)

- **Sensor** AMT
- **Driver** Penmount 6000
- **Type** 5-wire Resistive with enhanced ITO film
- **Interface** USB & RS-232 (Combo)
- **Lifespan** 36 million with a silicone rubber of R8 finger, writing rate is by 250g at 2 times/s
- **Light Transmission** > 80%
- **OS Support** Windows 2000, XP, Vista, 7, XPe, CE and Linux
- **Power Consumption** +5 V @ 100 mA
- **Touch Resolution** Linearity

#### Environment

- **Operation Temperature** -20 ~ 60°C (-4 ~ 140°F)
- **Storage Temperature** -30 ~ 80°C (-22 ~ 176°F)
- **Humidity (Storage)** 10 ~ 95% non-condensing
- **Waterproof** Front panel is NEMA4/IP65 compliant
- **Shock** 11ms, 10G (Non Operating, Half Sine Wave)
- **Vibration** 5 ~ 500 Hz, 1 Grms (Operating, Random)

### Ordering Information

- **FPM-3121G-X0AE** 12.1" SVGA Ind. Monitor with Wide Temp
- **FPM-3121G-R3AE** 12.1" SVGA Ind. Monitor w/Wide Temp, Resistive TS
- **FPM-3121SR-R3AE** 12.1" SVGA Ind. Monitor w/Sunlight Readable Display
- **FPM3121GR3A1101E-T** 12.1" XGA Ind. Monitor with Wide Temp, Resistive TS

http://www.promicro.co.za  
mailto: info@promicro.co.za

52 Shepherd Ave., Bryanston, South Africa  
P O Box 593, Cramerville, 2060, South Africa

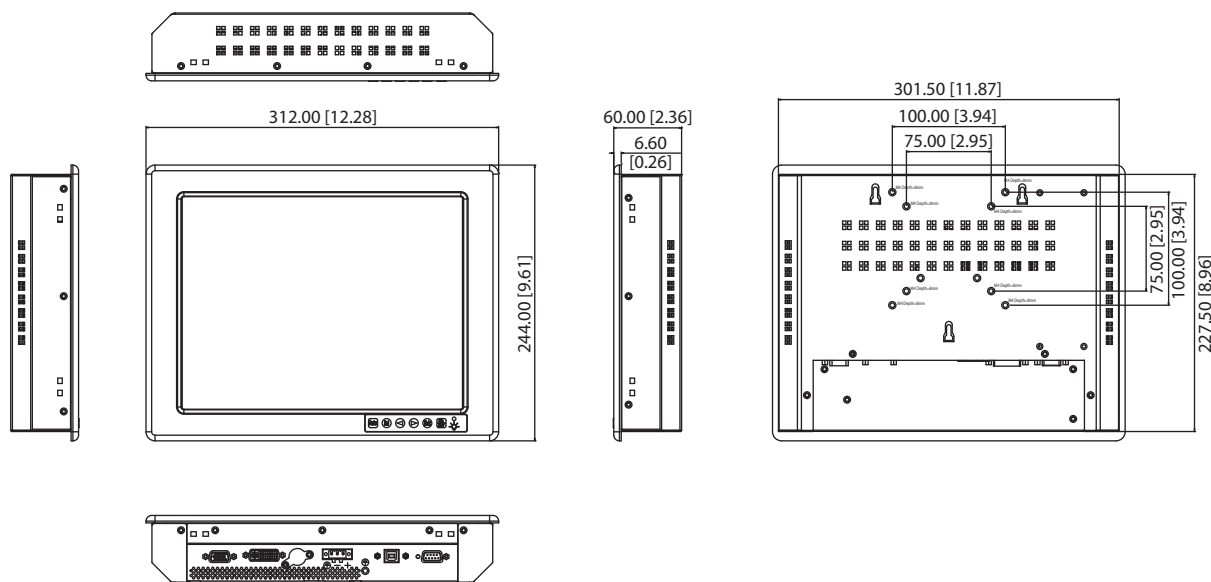
Tel: 011-706-7913  
Fax: 086-671-6808

ProMicro cc

# FPM-3121G

## Dimensions

Unit: [mm]

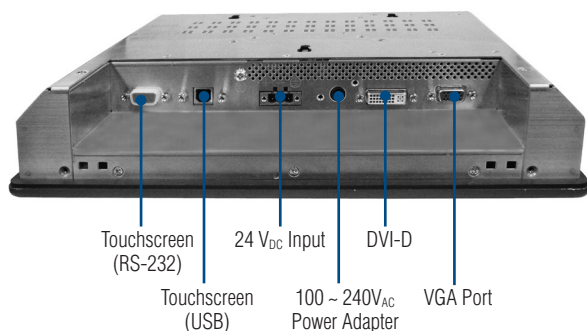


**Panel Cut-out Dimensions: 303.5 x 229.5 mm (11.95" x 9.04")**

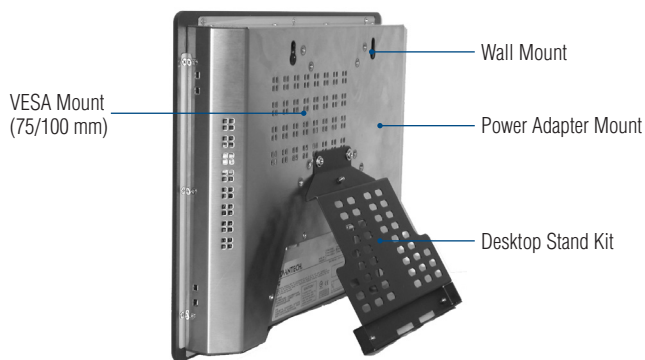
## Accessories

- **FPM-2150G-SMKE** Mounting kit for desktop stand & wall
- **1702002600** Power Cable US Plug 1.8 M
- **1702002605** Power Cable UK Plug 1.8 M
- **1702031801** Power Cable EU Plug 1.8 M
- **1702031836** Power Cable China/Australia Plug 1.8 M

## I/O View



## Mounting Method



1	Motion Control
2	Hazardous Location
3	Energy Automation
4	Building Automation Systems
5	Automation Software
6	Operator Panels
7	Automation Panel PCs
8	<b>Industrial Monitors</b>
9	Industrial Ethernet
10	Device Servers & Gateways
11	Serial Communication Cards
12	Embedded Auto. Computers
13	PACs
14	M2M I/O
15	Distributed Nano Controllers
16	RS-485 I/O
17	Ethernet I/O
18	DAQ Boards

# FPM-3171S FPM-3191S

## 17"/19" SXGA Industrial Monitor with Resistive Touchscreen, Direct-VGA and DVI Ports

http://www.promicro.co.za  
mailto: info@promicro.co.za

52 Shepherd Ave., Bryanston, South Africa  
P O Box 593, Cramerville, 2060, South Africa

Tel: 011-706-7913  
Fax: 086-671-6808

**ProMicro cc**



### Introduction

FPM-3171S/FPM-3191S is a 17"/19" color TFT LCD flat panel monitor specifically designed for industrial applications. With a viewing size as large as large as 17"/19", it presents an ample display area as well as vivid and sharp images for your HMI.

### Specifications

#### General

- **Button Controls** OSD (Onscreen Display) control pad on front panel
- **Certification** BSMI, CCC, CE, FCC Class B, UL
- **Dimensions (W x H x D)** FPM-3171S: 462.8 x 378.4 x 63.9 mm (18.22" x 14.9" x 2.52")  
FPM-3191S: 482 x 399.2 x 66 mm (18.98" x 15.72" x 2.6")
- **Enclosure** Front panel: Stainless steel with 316L level  
Rear cover: Stainless steel chassis
- **Mounting** Panel, wall, desktop, VESA arm
- **Power Input** DC Jack - Optional external 57 W power adapter, with 100 ~ 240 V<sub>AC</sub> input and 12 V<sub>DC</sub> @ 4.75 A output
- **Power Consumption** 35 W + 20%
- **Video Port** VGA & DVI-D port
- **Weight (Net)** FPM-3171S: 13.1 Kg (28.88 lbs)  
FPM-3191S: 15 Kg (33.07 lbs)

\* Mounting holes on rear cover are designed for PWR-246E DC Source

#### LCD Display

- **Display Type** SXGA TFT LCD
- **Display Size** FPM-3171S: 17"  
FPM-3191S: 19"
- **Max. Resolution** 1280 x 1024
- **Max. Color** 16.2 M
- **Viewing Angle (H/V°)** FPM-3171S: 170/160  
FPM-3191S: 178/178
- **Luminance (cd/m<sup>2</sup>)** FPM-3171S: 380 cd/m<sup>2</sup>  
FPM-3191S: 300 cd/m<sup>2</sup>
- **Backlight Life (hrs)** 50,000
- **Contrast Ratio** FPM-3171S: 1000 : 1  
FPM-3191S: 1300 : 1

### Features

- 17"/19" SXGA TFT LCD with resolution up to 1280 x 1024
- Robust design with stainless steel chassis and front panel
- Anti-reflective screen with tempered glass
- OSD control pad on front panel
- Supports industrial 24-48 V<sub>DC</sub> power input (optional)
- Supports panel, wall, desktop, VESA arm mounting
- Front panel is NEMA4X/IP65 compliant
- Front panel stainless steel with 316L level

#### Touchscreen (Optional)

- **Sensor** ELO
- **Driver** ELTOUCH
- **Type** 5-wire Resistive
- **Interface** RS-232 or USB
- **Lifespan** 35 million touches at a single point
- **Light Transmission** 80% ±5
- **OS Support** Windows XP, Vista, 7, XPe, CE and Linux
- **Power Consumption** +5 V @ 100 mA
- **Touch Resolution** Linearity

#### Environment

- **Operation Temperature** 0 ~ 50°C (32 ~ 122°F)
- **Storage Temperature** -20 ~ 60°C (-4 ~ 140°F)
- **Humidity (Storage)** 10 ~ 90% non-condensing
- **Waterproof** Front panel is NEMA4/IP65 compliant
- **Vibration** 5 ~ 500 Hz, 1 Grms (Operating, Random)

### Ordering Information

- **FPM-3171S-R3AE** 17" SXGA Ind. Monitor w/Resistive TS (RS-232,USB)
- **FPM-3191S-R3AE** 19" SXGA Ind. Monitor w/Resistive TS (RS-232,USB)

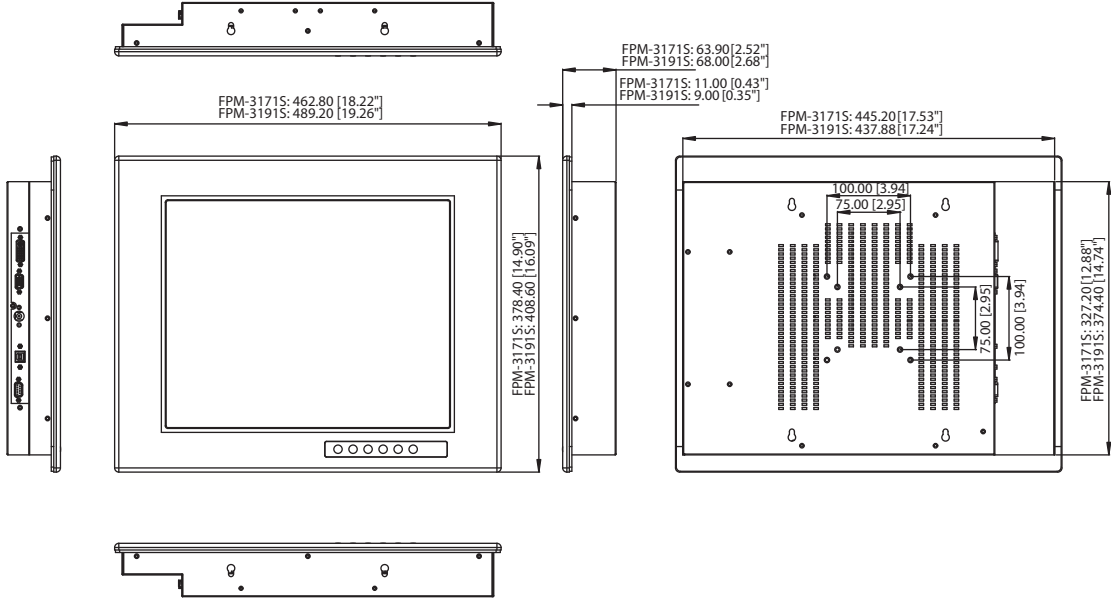
### Accessories

- **PWR-246E** Ind. DC to DC w/24-48 V<sub>DC</sub> 1.4-2.9A In 12 V<sub>DC</sub> 5A Out
- **1702002600** Power Cable US Plug 1.8 M
- **1702002605** Power Cable EU Plug 1.8 M
- **1702031801** Power Cable UK Plug 1.8 M
- **1702031836** Power Cable China/Australia Plug 1.8 M
- **1757002742** Adapter AC 90-264V 57W SPU63-105

# FPM-3171S/FPM-3191S

## Dimensions

Unit: [mm]



**Panel Cut-out Dimensions: FPM-3171S: 451 x 333 mm (17.76" x 13.11")  
FPM-3191S: 444 x 376.4 mm (17.48" x 14.82")**

- 1 Motion Control
- 2 Hazardous Location
- 3 Energy Automation
- 4 Building Automation Systems
- 5 Automation Software
- 6 Operator Panels
- 7 Automation Panel PCs
- 8 Industrial Monitors
- 9 Industrial Ethernet
- 10 Device Servers & Gateways
- 11 Serial Communication Cards
- 12 Embedded Auto. Computers
- 13 PACs
- 14 M2M I/O
- 15 Distributed Nano Controllers
- 16 RS-485 I/O
- 17 Ethernet I/O
- 18 DAQ Boards

52 Shepherd Ave., Bryanston, South Africa  
P O Box 593, Cramerview, 2060, South Africa

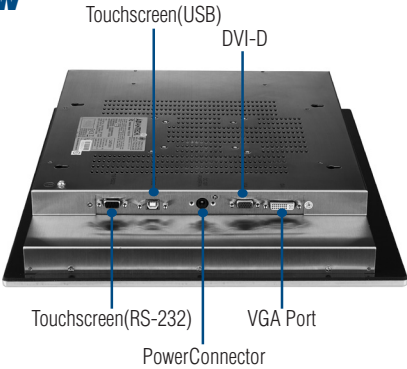
Tel: 011-706-7913  
Fax: 086-671-6808

http://www.promicro.co.za  
mailto: info@promicro.co.za

**ProMicro cc**

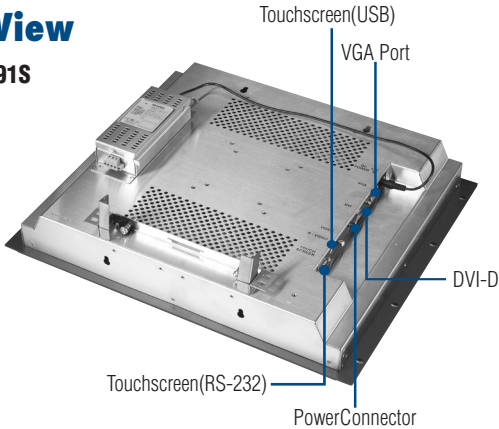
## I/O View

FPM-3171S

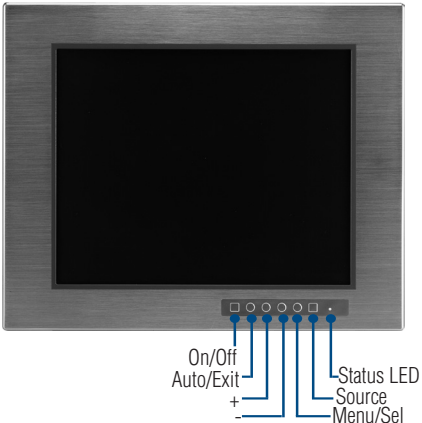


## I/O View

FPM-3191S



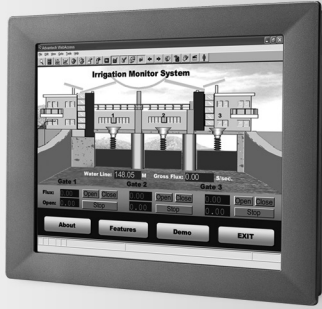
## FPM-3171S/3191S Front View



# TPC-1251SR TPC-1551SR

**12.1" SVGA/15" XGA High  
Brightness LCD Intel® Atom™  
Touch Panel Computers**

**NEW**



## Features

- Intel® Atom™ processor (up to 1.33 GHz)
- 12.1" SVGA/15" XGA High Brightness LED backlight
- -20 ~ 60°C wide operating temperature range
- Compact design with die-cast Al alloy front bezel
- Fanless cooling system
- NEMA4/IP65 compliant front panel
- Supports Microsoft® Windows WES7/XP/XPe/CE
- Dual Gigabit Ethernet supported
- Isolation Protection for Serial ports
- Energy Star approved

## Introduction

For sunlight readable applications, the TPC extends its Touch Panel Computer range with a high brightness and optical bonding solution. The LCD display provides a 1000 nits solution. Optical bonding enhances its readability by providing a reflection rate of under 0.2%. TPC-1251SR/1551SR making it perfect for outdoor applications.

## Specifications

### General

- **BIOS** Award® 4 MB
- **Certifications** BSMI, CCC, CE, FCC Class A, UL
- **Cooling System** Fanless design
- **Dimensions (W x H x D)** 1251SR: 311 x 237 x 54 mm (12.24" x 9.33" x 2.12")  
1551SR: 383 x 307 x 58.1 mm (15.08" x 12.09" x 2.29")
- **Enclosure** 1251H/1551H Front bezel: Die-cast Aluminum Alloy  
Back housing: SECC
- **Mounting** Desktop, Wall or Panel Mount
- **OS Support** Windows XP/WES7/XPe/CE/Linux
- **Power Consumption** 35 W/40 W (typical)
- **Power Input** 18 ~ 32 V<sub>DC</sub>
- **Watchdog Timer** 1 ~ 255 sec (system)
- **Weight (Net)** 2.5 kg (5.51 lb)/3 kg (5.51 lb)

### System Hardware

- **CPU** Intel® Atom™ 1.33 GHz with 512KB cache
- **Chipset** eMenlow XL + Poulsbo
- **Memory** 1GB SO-DIMM DDR2 667 SDRAM
- **LAN** 10/100/1000Base-T x 2
- **Storage** CompactFlash® slot x 1
- **I/O** RS-232 x 1 (with isolation)  
RS-422/485 x 1 (with isolation)  
USB 2.0 x 2 (Host)

### LCD Display

- **Display Type** SVGA/XGA TFT LED LCD
- **Display Size** 12.1"/15"
- **Max. Resolution** 800 x 600/1024 x 768
- **Max. Colors** 262 K
- **Luminance cd/m<sup>2</sup>** 1000
- **Viewing Angle (H/V°)** 110/160, 120/140
- **Backlight Life** 50,000 hrs
- **Contrast Ratio** 600:1/1100:1

### Touchscreen

- **Lifespan** 10 million touches at single point
- **Light Transmission** Above 75%
- **Resolution** Linearity
- **Type** 5-wire, analog resistive

### Environment

- **Humidity** 10 ~ 95% RH @ 40°C, non-condensing
- **Ingress Protection** Front panel: NEMA4, IP65
- **Operating Temperature** -20 ~ 60°C (-4 ~ 140°F)
- **Storage Temperature** -30 ~ 80°C (-22 ~ 176°F)
- **Vibration Protection** 2 Grms (5 ~ 500 Hz)  
(Operating, random vibration)

http://www.promicro.co.za  
mailto: info@promicro.co.za

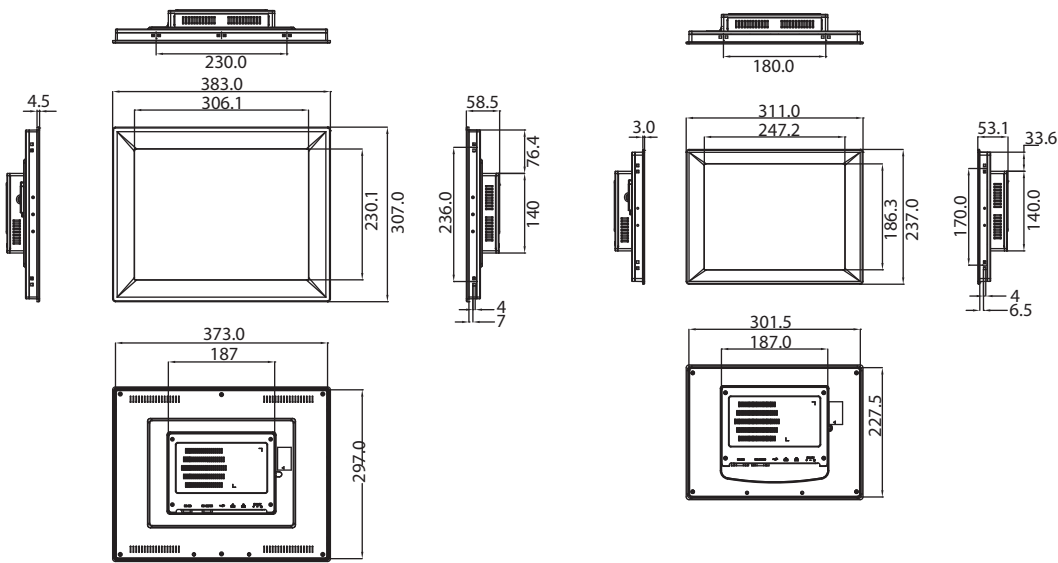
52 Shepherd Ave., Bryanston, South Africa  
P O Box 593, Cramerville, 2060, South Africa

Tel: 011-706-7913  
Fax: 086-671-6808

**ProMicro cc**

## Dimensions

Unit: [mm]



**Panel Cut-out Dimensions: TPC-1251SR: 302.5 x 228.5 mm (11.9" x 9")**  
**TPC-1551SR: 374.5 x 298.5 mm (14.7" x 11.7")**

## Ordering Information

- **TPC-1251SR-Z2AE** 12.1" Sunlight Readable Touch Panel PC, Atom™ 1.33GHz, 1GB
- **TPC-1551SR-Z2AE** 15" Sunlight Readable Touch Panel PC, Atom™ 1.33GHz, 1GB

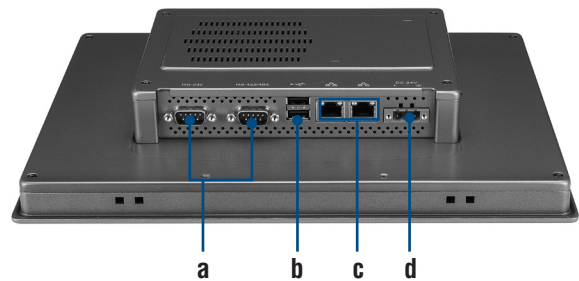
### Accessories

- **TPC-1570H-SMKE** TPC-1551SR Desktop Stand
- **TPC-1250H-SMKE** TPC-1251SR Desktop Stand
- **TPC-1570H-WMKE** TPC-1551SR Wallmount Kit
- **TPC-1250H-WMKE** TPC-1251SR Wallmount Kit
- **TPC-651H-EHKE** TPC-651H/1251H/1551H Extension HDD Kit
- **PWR-247-AE** 24 V 50 W AC-DC Power Adapter
- **1702002600** Power Cord 3P UL/CSA(USA) 125V 10A 1.83M

\* Stand and Wall mount kits not compatible with HDD extension kit.

## Rear View

### TPC-1251SR/1551SR



- a. COM (RS-232, RS-422/485)
- b. USB 2.0
- c. LAN (10/100/1000)
- d. Power Receptor

- 1 Motion Control
- 2 Hazardous Location
- 3 Energy Automation
- 4 Building Automation Systems
- 5 Automation Software
- 6 Operator Panels
- 7 Automation Panel PCs
- 8 Industrial Monitors
- 9 Industrial Ethernet
- 10 Device Servers & Gateways
- 11 Serial Communication Cards
- 12 Embedded Auto. Computers
- 13 PACs
- 14 M2M I/O
- 15 Distributed Nano Controllers
- 16 RS-485 I/O
- 17 Ethernet I/O
- 18 DAQ Boards

# FPM-3151SR

15" XGA High Brightness Industrial Monitor w/ Resistive Touchscreen, Direct-VGA, DVI and Wide Operating Temperatures

NEW



## Features

- 15" XGA 1000 nits LED backlight
- Robust anodized coated aluminum front bezel and stainless steel rear cover
- Supports wide operating temperatures
- Increase reliability by enhanced 5-wire resistive touch sensor
- Anti-reflective screen with tempered glass
- Full enclosure ground isolation protection
- Supports VGA/DVI input, dual touch interfaces and two power inputs
- Front lockable OSD membrane keys with user-defined brightness setting
- Front panel is NEMA4/IP65 compliant
- Supports panel, VESA, wall and desktop stand mounting

## Introduction

For sunlight readable applications, FPM-3151SR provides high brightness and optical bonding solution. The LCD display is up to 1000 nits. Optical bonding enhances its readability by providing a reflection rate of under 0.2%. FPM-3151SR makes it perfect for outdoor applications.

## Specifications

### General

- **Button Controls** OSD control pad on front panel with lockable function  
Two user-defined contrast/brightness settings
- **Certification** CE, FCC Class A, CCC, UL, Energy Star
- **Dimensions (W x H x D)** 422 x 310 x 70 mm (16.61" x 12.2" x 2.76")
- **Enclosure** Front panel: Aluminum with hard anodizing coating  
Rear cover : Stainless steel  
Ground Isolation Protection
- **Mounting** Panel, wall, desktop, VESA arm, or 19" rackmount with optional mounting kit
- **Power Input** Phoenix Jack: 24 V<sub>DC</sub> input  
DC Jack: external 57 W power adapter, with 100 ~ 240 V<sub>AC</sub> input and 12 V<sub>DC</sub> @ 4.75 A output
- **Power Consumption** 12W
- **Video Port** VGA & DVI-D Port
- **Weight (Net)** 7.73 kg (17.04 lbs)

### LCD Display

- **Display Type** XGA TFT LCD
- **Backlight Type** LED
- **Display Size** 15"
- **Max. Resolution** 1024 x 768
- **Max. Color** 16.2M (RGB 8-bits) or 262k colors (RGB 6-bits)
- **Viewing Angle (H/V°)** 125/140
- **Luminance (cd/m<sup>2</sup>)** 1000
- **Backlight Life (hrs)** 50,000
- **Contrast Ratio** 600:1

### Touchscreen (Optional)

- **Sensor** AMT
- **Driver** Penmount 6000
- **Type** 5-wire resistive with enhanced ITO film
- **Interface** USB & RS-232 (Combo)
- **Lifespan** 36 million with a silicone rubber R8 finger, writing rate is by 250g at 2 times/s
- **Light Transmission** > 80%
- **OS Support** Windows 2000, XP, Vista, 7, XPe, CE and Linux
- **Power Consumption** +5 V @ 100 mA
- **Touch Resolution** Linearity

### Environment

- **Operation Temperature** -20 ~ 60°C (-4 ~ 140°F)
- **Storage Temperature** -30 ~ 80°C (-22 ~ 176°F)
- **Humidity (Storage)** 10 ~ 95% non-condensing
- **Waterproof** Front panel is NEMA4/IP65 compliant
- **Shock** 11ms, 10G (Non Operating, Half Sine Wave)
- **Vibration** 5 ~ 500 Hz, 1 Grms (Operating, Random)

## Ordering Information

- **FPM-3151SR-R3AE** 15" XGA Ind. Monitor w/ Sunlight Readable Display

http://www.promicro.co.za  
mailto: info@promicro.co.za

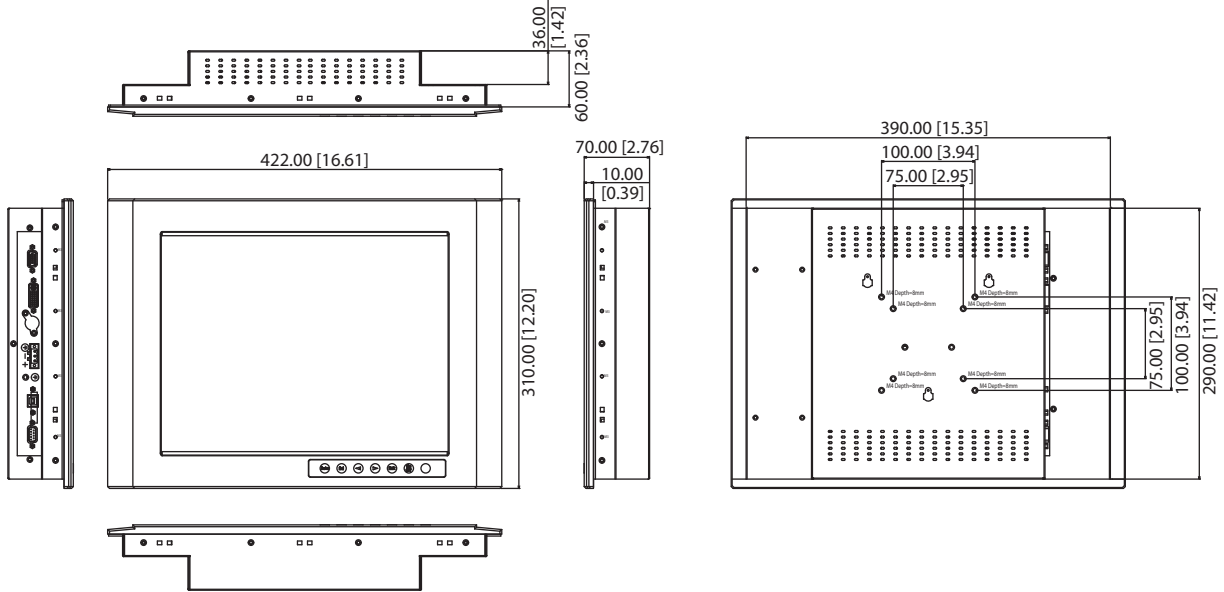
52 Shepherd Ave., Bryanston, South Africa  
P O Box 593, Cramerville, 2060, South Africa

Tel: 011-706-7913  
Fax: 086-671-6808

ProMicro cc

**Dimensions**

Unit: [mm]



**Panel Cut-out Dimensions: 396 x 296 mm (15.59" x 11.65")**

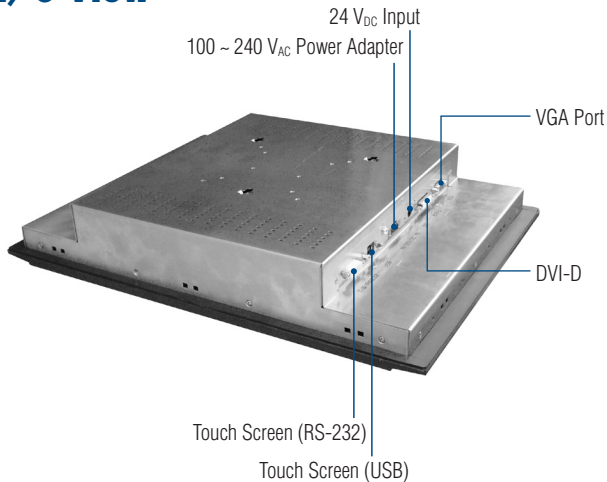
**Accessories**

- **FPM-3151G-RMKE** Mounting kit for 19" industrial rack
- **1702002600** Power Cable US Plug 1.8 M
- **1702002605** Power Cable EU Plug 1.8 M
- **1702031801** Power Cable UK Plug 1.8 M
- **1702031836** Power Cable China/Australia Plug 1.8 M

**Rack Mount (FPM-3151G-RMKE)**



**I/O View**



- 1 Motion Control
- 2 Hazardous Location
- 3 Energy Automation
- 4 Building Automation Systems
- 5 Automation Software
- 6 Operator Panels
- 7 Automation Panel PCs
- 8 Industrial Monitors
- 9 Industrial Ethernet
- 10 Device Servers & Gateways
- 11 Serial Communication Cards
- 12 Embedded Auto. Computers
- 13 PACs
- 14 M2M I/O
- 15 Distributed Nano Controllers
- 16 RS-485 I/O
- 17 Ethernet I/O
- 18 DAO Boards

# IPPC-8151S

## 15" XGA TFT LCD Celeron® M Fanless Industrial Panel PC with Stainless Steel

http://www.promicro.co.za  
mailto: info@promicro.co.za

52 Shepherd Ave., Bryanston, South Africa  
P O Box 593, Cramerville, 2060, South Africa

Tel: 011-706-7913  
Fax: 086-671-6808

**ProMicro cc**



### Features

- 316L stainless steel and food-safe sealing materials
- Robust and fanless design for reliable operation
- Anti-corrosive and chemical resistant touchscreen
- Designed with NEMA4X (IP66) dustproof and waterproof protection
- 15" XGA TFT LCD with chemical resistant touchscreen
- Supports Intel® Celeron® M 1 GHz/1 MB L2 processor with 1 GB memory
- Dual Gigabit Ethernet ports for control & monitoring
- Supports rich I/O and PCI slots
- Supports VESA/panel/stand/desk/wall/ and ceiling mounting (optional)
- All-around IP66 protection with enclosure kit (optional)
- Supports I/O connectors with IP66 protection (optional)

### Introduction

To satisfy the stringent standards required in food, beverage, clinical, chemical or pharmaceutical applications, Advantech offers the IPPC-8151S designed with 316L stainless steel, food-safe sealing materials and an anti-corrosive and chemical resistant touchscreen. Its fanless design and NEMA4X/IP66 waterproof and dustproof protection can ensure reliable operation in most hazardous environments. With the optional enclosure kit and IP66 I/O connector kit, IPPC-8151S can provide a fully enclosed IP66 protection for all sides. In addition to the standard panel mounting, IPPC-8151S can be VESA mounted with an optional enclosure kit. Also, if desk, wall or ceiling mounting is required, an optional stand kit that provides full 360° rotation can be ordered along with the enclosure kit.

### Specifications

#### General

- **BIOS** Award 4MB Flash BIOS
- **Certifications** UL, CE, FCC Class A, CCC, BSMI
- **Enclosure** Fanless with 316L stainless steel
- **Dimensions (W x H x D)** 400.00 x 313.6 x 90.44 mm (15.75" x 12.35" x 3.55")
- **OS Support** Windows 2000, XP Professional and WinXPe
- **Power Input** 10 ~ 30 V<sub>DC</sub>, 18A
- **Power Output** +3.3 V @ 8 A, +5 V @ 10 A, -12 V @ 4 A, +5 Vsb @ 0.75 A, -12 V @ 1 A
- **Power Supply** 85 W
- **Weight (Gross)** 12 Kg (26.45 lbs)

#### System Hardware

- **CPU** Intel Celeron M 1.06GHz 1MB L2 on board
- **Chipset** Intel 945GME
- **Memory** 1GB SO-DIMM DDR2 200pin 667MHz (Supports 4GB Maximum)
- **LAN** 10/100/1000Base-T Ethernet x 2
- **Expansion** 1 x half-length PCI Slot
- **Storage** 1 x CompactFlash Slot, 1 x SATA HDD interface (2.5" HDD bay)
- **I/Os** 3 x RS-232, 4 x USB 2.0, 2 x PS2 (Keyboard, Mouse), 1 x VGA Port, Mic-in, Line-in, Line-out

#### LCD Display

- **Backlight Life** 50,000 hrs
- **Contrast Ratio** 700:1
- **Display Size** 15"
- **Display Type** XGA TFT LCD
- **Luminance** 350 cd/m<sup>2</sup>
- **Max. Colors** 262,144
- **Max. Resolution** 1024 x 768
- **Viewing Angle (H/V°)** 140/125

#### Touchscreen

- **Lifespan** 10 millions times touch at single point
- **Light Transmission** >80%
- **Type** Analog resistive 5-wire

#### Environment

- **Humidity** 5 ~ 85% @ 40°C (non-condensing)
- **Ingress Protection** Front panel: NEMA 4X / IP66
- **Operating Temperature** 0 ~ 50°C (32 ~ 122°F)
- **Storage Temperature** -20 ~ 60°C (-4 ~ 140°F)
- **Vibration Protection** 5 ~ 500 Hz, 1Grms random vibration

### Ordering Information

- **IPPC-8151S-ROAE** 15" Stainless Panel PC, Celeron M, 1GHz, TS

#### Accessories

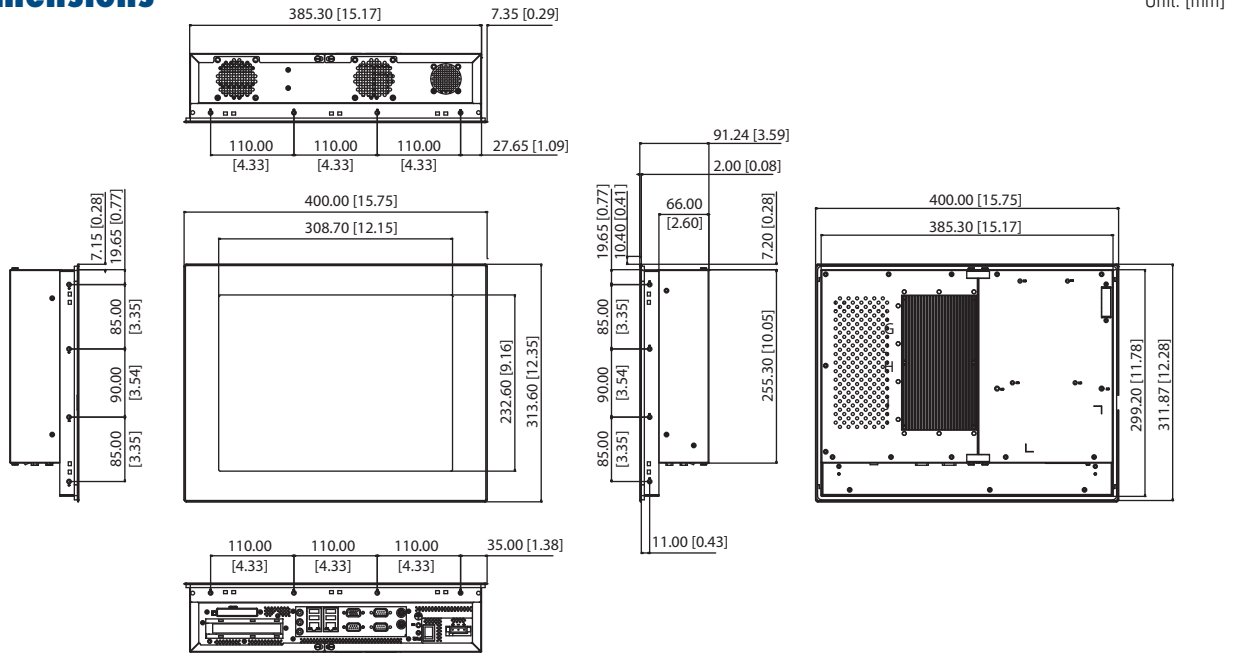
- **IPPC-8151S-EMKE** IPPC-8151S all-around IP66 enclosure kit
- **IPPC-8151S-SMKE** IPPC-8151S kit for desk, wall and ceiling mounting
- **IPPC-8151S-IMKE** IPPC-8151S IP66 I/O connector kit

52 Shepherd Ave., Bryanston, South Africa  
 P O Box 593, Cramerview, 2060, South Africa  
 http://www.promicro.co.za  
 malto: info@promicro.co.za

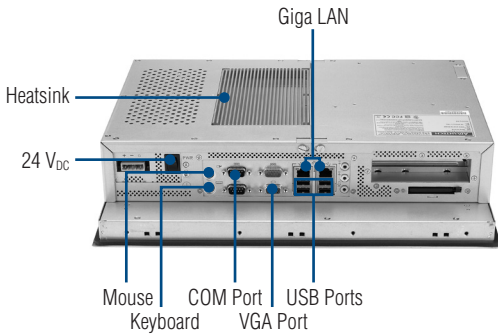
Tel: 011-706-7913  
 Fax: 086-671-6808

**ProMicro cc**

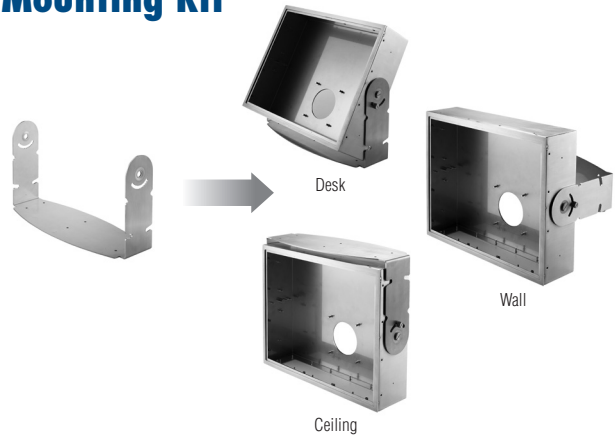
## Dimensions



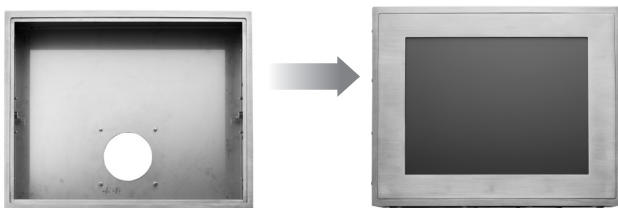
## I/O View



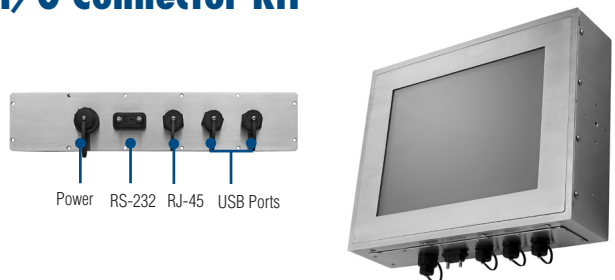
## Mounting Kit



## All-around IP66 Enclosure Kit



## I/O Connector Kit



- 1 Motion Control
- 2 Hazardous Location
- 3 Energy Automation
- 4 Building Automation Systems
- 5 Automation Software
- 6 Operator Panels
- 7 Automation Panel PCs
- 8 Industrial Monitors
- 9 Industrial Ethernet
- 10 Device Servers & Gateways
- 11 Serial Communication Cards
- 12 Embedded Auto. Computers
- 13 PACs
- 14 M2M I/O
- 15 Distributed Nano Controllers
- 16 RS-485 I/O
- 17 Ethernet I/O
- 18 DAQ Boards

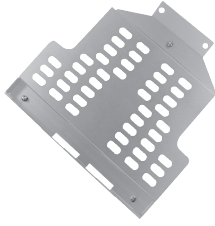
# FPM Accessories

http://www.promicro.co.za  
mailto: info@promicro.co.za

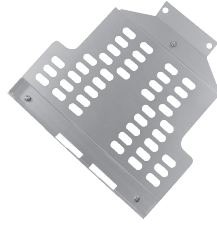
52 Shepherd Ave., Bryanston, South Africa  
P O Box 593, Cramerview, 2060, South Africa

Tel: 011-706-7913  
Fax: 086-671-6808

**ProMicro cc**



**FPM-5191G-SMKE**  
FPM-5191G Stand Kit



**FPM-5151G-SMKE**  
FPM-5151G / FPM-5171G Stand Kit



**FPM-2150G-SMKE**  
FPM-2150G Stand Kit



**IPPC-6192A-RMKE**  
IPPC-6192A/FPM-5191G Rack Mount Kit



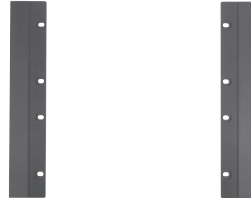
**IPPC-6172A-RMKE**  
IPPC-6172A/FPM-5171G Rack Mount Kit



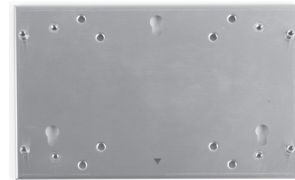
**IPPC-6152A-RMKE**  
IPPC-6152A/FPM-5151G Rack Mount Kit



**FPM-2150G-RMKE**  
FPM-2150G Rack-Mount Kit



**FPM-3150G-RMKE**  
FPM-3150G Rack-Mount Kit



**FPM-3060G-VMKE**  
FPM-3060G VESA-Mount Kit



**PWR-246E**  
Ind. DC to DC w/24-48 V<sub>dc</sub> 1.4-2.9A Input 12 V<sub>dc</sub> 5A Output



**1757002742**  
Adapter AC 90-264V 57W SPU63-105



**1702031801**  
Power Cable UK Plug 1.8 M



**1702002600**  
Power Cable US Plug 1.8 M



**1702002605**  
Power Cable EU Plug 1.8 M



**1702031836**  
Power Cable China/Australia Plug 1.8 M