

EKI-1528 EKI-1526

8-port RS-232/422/485 Serial Device Server

16-port RS-232/422/485 Serial Device Server

http://www.promicro.co.za
mailto:info@promicro.co.za

52 Shepherd Avenue, Bryanston, South Africa
P O Box 593, Cramerville, 2060, South Africa

Tel: 011-706-7913
Fax: 011-706-2766

Promicro cc



Features

- 8 or 16-port RS-232/422/485 serial communication
- Provides 2 x 10/100 Mbps Ethernet ports for LAN redundancy
- Supports baud rate up to 921.6 kbps
- Provides COM port redirection (Virtual COM), TCP and UDP operation modes
- Provides rich configuration methods: Windows utility, Telnet console, Web Browser, and serial console
- Built-in 15 KV ESD protection for all serial signals
- SNMP MIB-II for network management
- Built-in buzzer for easy location
- Standard 1U rackmount size
- Rear wiring
- Automatic RS-485 data flow control

Introduction

EKI-1528 and EKI-1526 are industrial-grade network-based serial device servers for connecting up to 8 or 16 serial RS-232/422/485 devices, such as CNCs, PLCs, scales and scanners, directly to a TCP/IP network. The EKI-1528 and EKI-1526 feature two independent Ethernet ports and MAC addresses to provide a redundant network mechanism to guarantee Ethernet network reliability. The EKI-1528 and EKI-1526 provide a simple and cost-effective way to bring the advantages of remote management and data accessibility to thousand of devices that can't connect to an Ethernet network. The EKI-1528 and EKI-1526 offer rich ways to configure through Windows utility, Web Browser, serial console or Telnet console, these methods make it easy manage many EKI-1528 and EKI-1526 or serial devices on your network.

Specifications

Ethernet Communications

- **Compatibility** IEEE 802.3, IEEE 802.3u
- **Speed** 10/100 Mbps, auto MDI/MDIX
- **No. of Ports** 2
- **Port Connector** 8-pin RJ45
- **Protection** Built-in 1.5 KV magnetic isolation

Serial Communications

- **Port Type** RS-232/422/485, software selectable
- **No. of Ports** EKI-1528: 8
EKI-1526: 16
- **Port Connector** 8-pin RJ45
- **Data Bits** 5, 6, 7, 8
- **Stop Bits** 1, 1.5, 2
- **Parity** None, Odd, Even, Space, Mark
- **Flow Control** XON/XOFF, RTS/CTS, DTR/DSR
- **Baud Rate** 50 bps ~ 921.6 kbps
- **Serial Signals** RS-232: TxD, RxD, CTS, RTS, DTR, DSR, DCD, GND
RS-422: TxD+, TxD-, RxD+, RxD-, GND
RS-485: Data+, Data-, GND
- **Protection** 15 KV ESD for all signals

Software

- **Driver Support** Windows 2000/XP/Vista
- **Utility Software** Advantech Serial Device Server Configuration Utility
- **Operation Modes** COM port redirection mode (Virtual COM)
TCP/UDP server (polling) mode
TCP/UDP client (event handling) mode
Pair connection (peer to peer) mode
- **Configuration** Windows utility, Telnet console, Web Browser, serial console
- **Protocols** ICMP, IP, TCP, UDP, BOOTP, DHCP, Auto IP, Telnet, SNMP, HTTP, DNS, SMTP, ARP, HTTPS, SSL, SSH, NTP
- **Management** SNMP MIB-II

Mechanics

- **Dimensions (H x W x D)** 44 x 440 x 220 mm
- **Enclosure** SECC chassis
- **Mounting** Rack
- **Weight** EKI-1528: 2.53 kg
EKI-1526: 2.58 kg

General

- **LED Indicators** System: Power, System Status
LAN: Speed, Link/Active
Serial: Tx, Rx
- **Alert Tools** Built-in buzzer and RTC (real time clock)
- **Reboot Trigger** Built-in WDT and push button for hardware reboot

Power Requirements

- **Power Input** 100 ~ 240 V_{AC}, 47 ~ 63 Hz
- **Power Consumption** EKI-1528: 8 W
EKI-1526: 10 W

Environment

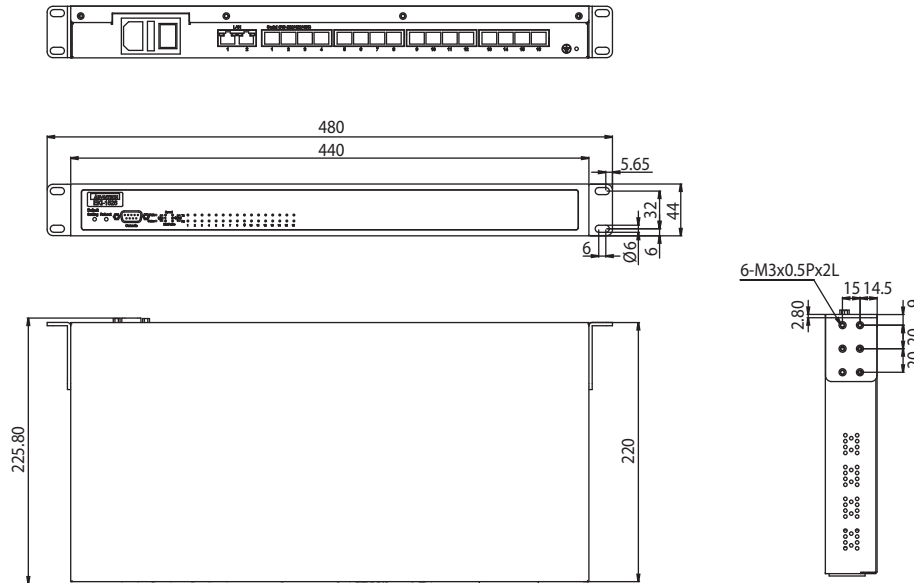
- **Operating Temperature** 0 ~ 60° C (32 ~ 140° F)
- **Storage Temperature** -20 ~ 80° C (-4 ~ 176° F)
- **Operating Humidity** 5 ~ 95% RH

Regulatory Approvals

- **EMC** CE, FCC Part 15 Subpart B (Class A)
- **MTBF** EKI-1528: 198,571 hrs
EKI-1526: 175,708 hrs

Dimensions

Unit: mm



Dimensions (W x D x H): 440 x 220 x 44 mm

Physical Views

EKI-1528: Front View



EKI-1528: Rear View



EKI-1526: Front View



EKI-1526: Rear View



Ordering Information

- **EKI-1528** 8-port RS-232/422/485 Serial Device Server
- **EKI-1526** 16-port RS-232/422/485 Serial Device Server

*All items include 1pc OPT1J

Accessories

- **OPT1I** 1 m RJ45 to DB9 Male Cable
- **OPT1J** 30 cm RJ45 to DB9 Male Cable
- **1702002600** Power Cable US Plug 1.8m
- **1702002605** Power Cable EU Plug 1.8m
- **1702031801** Power Cable UK Plug 1.8m
- **1702031836** Power Cable China/Australia Plug 1.8m