

ADAM-6060

ADAM-6066

6-ch Digital Input and 6-ch Relay Modbus TCP Module

6-ch Digital Input and 6-ch Power Relay Modbus TCP Module



ADAM-6060

ADAM-6066



Specifications

General

- LAN: 10/100Base-T(X)
- Power Consumption: 2 W @ 24 V_{DC} (ADAM-6060), 2.5 W @ 24 V_{DC} (ADAM-6066)
- Connectors: 1 x RJ-45 (LAN), Plug-in screw terminal block (I/O and power)
- Watchdog Timer: System (1.6 second) and Communication (programmable)
- Power Input: 10 ~ 30 V_{DC}
- Supports Peer-to-Peer
- Supports GCL
- Supports Modbus/TCP, TCP/IP, UDP and HTTP Protocols

Digital Input

- Channels: 6
- Dry Contact: Logic level 0: close to GND, Logic level 1: open
- Wet Contact: Logic level 0: 3 V_{DC}, Logic level 1: 10 ~ 30 V_{DC}
- Supports 3 kHz Counter Input (32-bit + 1-bit overflow)
- Keep/Discard Counter Value when Power-off
- Supports 3 kHz Frequency Input
- Supports Inverted DI Status

Relay Output (Form A)

- Channels: 6
- Contact Rating (Resistive): ADAM-6060: 120 V_{AC} @ 0.5 A, 30 V_{DC} @ 1 A; ADAM-6066: 250 V_{AC} @ 5 A, 30 V_{DC} @ 5 A
- Breakdown Voltage: 500 V_{AC} (50/60 Hz)
- Relay On Time: 7 ms
- Relay Off Time: 3 ms
- Total Switching Time: 10 ms
- Insulation Resistance: 1 GΩ min. at 500 V_{DC}
- Maximum Switching Rate (at rated load): 20 operations/minute
- Supports Pulse Output

Protection

- Isolation Voltage: 2,000 V_{DC}
- Power Reversal Protection

Environment

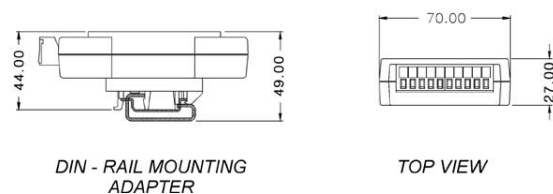
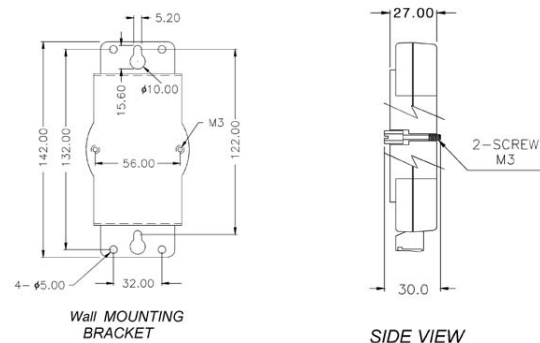
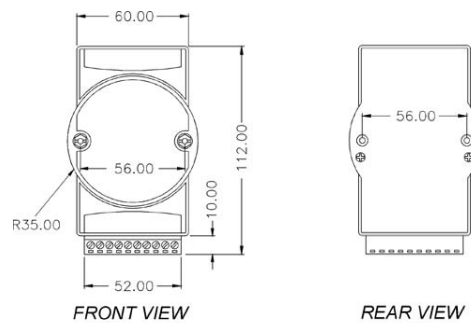
- Operating Temperature: -10 ~ 70° C (14 ~ 158° F)
- Storage Temperature: -20 ~ 80° C (-4 ~ 176° F)
- Operating Humidity: 20 ~ 95% RH (non-condensing)
- Storage Humidity: 0 ~ 95% RH (non-condensing)

Ordering Information

- ADAM-6060: 6-ch DI and 6-ch Relay Modbus TCP Module
- ADAM-6066: 6-ch DI and 6-ch Power Relay Modbus TCP Module

ADAM-6000 Series Dimensions

Unit: mm



ADAM-6000 Series Common Specifications

General

- Dimension (W x H x D): 70 x 120 x 30 mm
- Enclosure: ABS+PC
- Mounting: DIN 35 rail, stack, wall

- 19 Embedded Controllers
- 20 PC-based Controllers
- 21 PAC
- 22 Motion Control
- 23 RS-485 I/O
- 24 Ethernet I/O
- 25 Building Automation
- 26 Self-service Terminals
- 27 eHome Platforms